

Zed



Classic



Eclipse



Light



Xpression



E•VOKE



evolution[®]
Reception Desks

Clarke ■ Rendall

reception | meeting | project

Zed

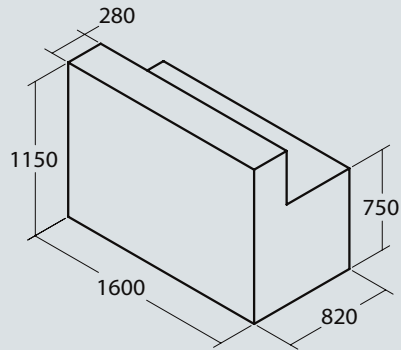


evolution® Zed reception desk
with etch effect or solid colour
glass/acrylic privacy panel

1 SHAPE

STRAIGHT desks

Compact
Single person



3 FINISH

All evolution® reception desks are available in a range of 12 plain colour laminates and 12 woodgrain laminates. For a sleeker finish, the feature sections on **Light** and **Xpression** are available in colour matched lacquer, and on the **E•VOKE** in 12 **Corian®** finishes as standard.

evolution® in 3 simple steps

1. Choose your **SHAPE**
2. Choose your **STYLE**
3. Choose your **FINISH**

Terms and conditions of sale available on request.

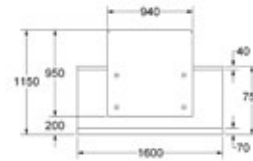
2 STYLE

Zed

- Horizontal woodgrain direction
- Logo not included



ZC Compact



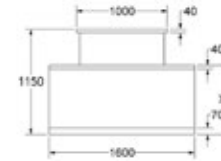
LAMINATE

Classic

- Horizontal woodgrain direction
- Logo not included



SC Compact



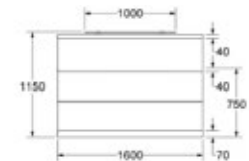
LAMINATE

Eclipse

- Horizontal woodgrain direction



YC Compact



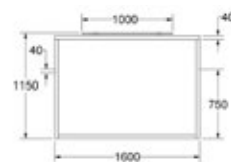
LAMINATE

Light

- Horizontal woodgrain direction
- Logo not included



LC Compact



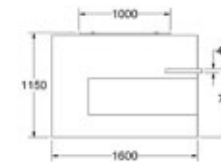
LAMINATE feature section: LACQUER feature section:

Xpression

- Horizontal woodgrain direction
- Logo not included



XC Compact



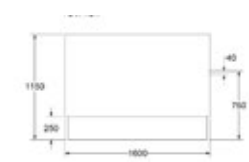
LAMINATE feature section: LACQUER feature section:

E•VOKE

- Horizontal woodgrain direction



KC Compact

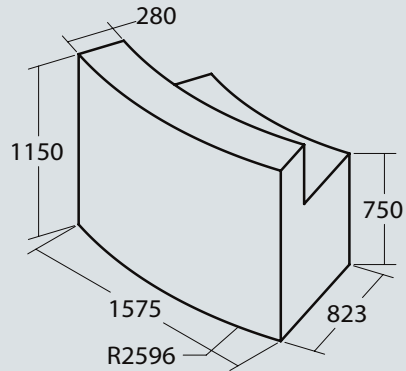


LAMINATE feature section: CORIAN® feature section:

1 SHAPE

CURVED desks

Compact
Single person



3 FINISH

All evolution® reception desks are available in a range of 12 plain colour laminates and 12 woodgrain laminates. For a sleeker finish, the feature sections on **Light** and **Xpression** are available in colour matched lacquer, and on the **E•VOKE** in 12 **Corian®** finishes as standard.

evolution® in 3 simple steps

1. Choose your **SHAPE**
2. Choose your **STYLE**
3. Choose your **FINISH**

Terms and conditions of sale available on request.

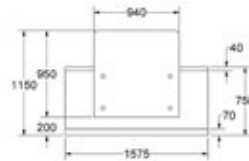
2 STYLE

Zed

- Horizontal woodgrain direction
- Logo not included



ZB Compact



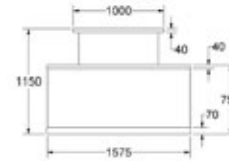
LAMINATE

Classic

- Horizontal woodgrain direction
- Logo not included



SB Compact



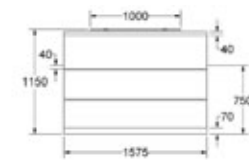
LAMINATE

Eclipse

- Horizontal woodgrain direction



YB Compact



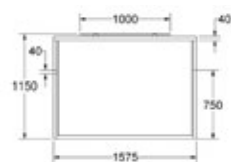
LAMINATE

Light

- Horizontal woodgrain direction
- Logo not included



LB Compact



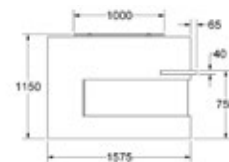
LAMINATE feature section: LACQUER feature section:

Xpression

- Horizontal woodgrain direction
- Logo not included



XB Compact



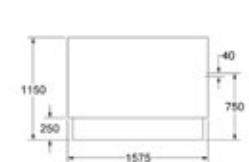
LAMINATE feature section: LACQUER feature section:

E•VOKE

- Horizontal woodgrain direction



KB Compact

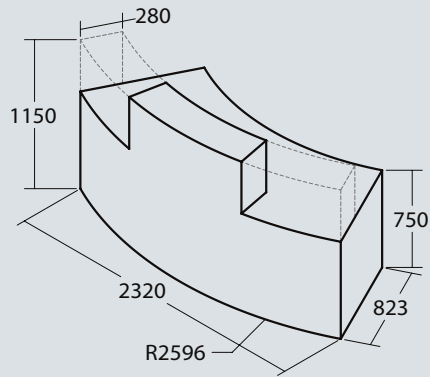


LAMINATE feature section: CORIAN® feature section:

1 SHAPE

CURVED desks

Full width/
central upstand
Single person



3 FINISH

All evolution® reception desks are available in a range of 12 plain colour laminates and 12 woodgrain laminates. For a sleeker finish, the feature sections on **Light** and **Xpression** are available in colour matched lacquer, and on the **E•VOKE** in 12 **Corian®** finishes as standard.

evolution® in 3 simple steps

1. Choose your **SHAPE**
2. Choose your **STYLE**
3. Choose your **FINISH**

Terms and conditions of sale available on request.

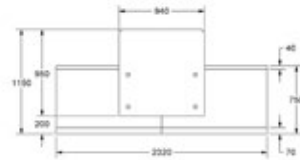
2 STYLE

Zed

- Vertical woodgrain direction
- Logo not included



ZB1



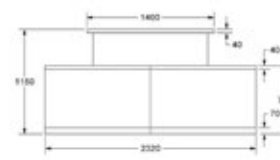
LAMINATE

Classic

- Vertical woodgrain direction
- Logo not included



SB1



LAMINATE

Eclipse

- Horizontal woodgrain direction



YB1



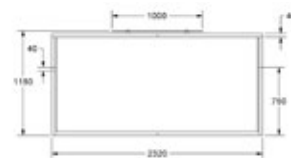
LAMINATE

Light

- Vertical woodgrain direction
- Logo not included



LB1



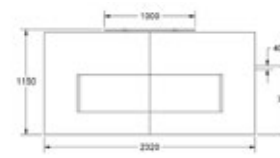
LAMINATE feature section: LACQUER feature section:

Xpression

- Vertical woodgrain direction
- Logo not included



XB1



LAMINATE feature section: LACQUER feature section:

E•VOKE

- Vertical woodgrain direction



KB1

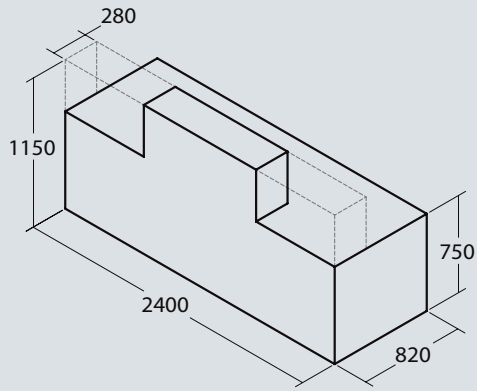


LAMINATE feature section: CORIAN® feature section:

1 SHAPE

STRAIGHT desks

Full width/
central upstand
1 to 2 person



3 FINISH

All evolution® reception desks are available in a range of 12 plain colour laminates and 12 woodgrain laminates. For a sleeker finish, the feature sections on **Light** and **Xpression** are available in colour matched lacquer, and on the **E•VOKE** in 12 **Corian®** finishes as standard.

evolution® in 3 simple steps

1. Choose your **SHAPE**
2. Choose your **STYLE**
3. Choose your **FINISH**

Terms and conditions of sale available on request.

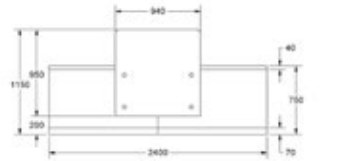
2 STYLE

Zed

- Vertical woodgrain direction
- Logo not included



ZC1



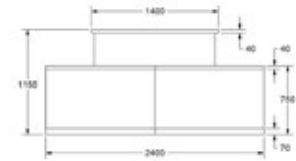
LAMINATE

Classic

- Vertical woodgrain direction
- Logo not included



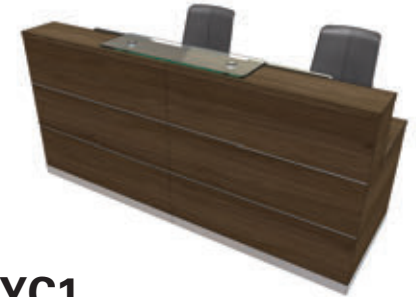
SC1



LAMINATE

Eclipse

- Horizontal woodgrain direction



YC1



LAMINATE

Light

- Vertical woodgrain direction
- Logo not included



LC1



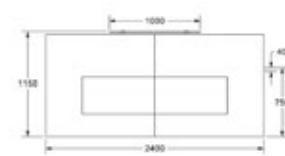
LAMINATE feature section: LACQUER feature section:

Xpression

- Vertical woodgrain direction
- Logo not included



XC1



LAMINATE feature section: LACQUER feature section:

E•VOKE

- Vertical woodgrain direction



KC1



LAMINATE feature section: CORIAN® feature section:

E•VOKE



evolution® E•VOKE reception desk
with feature overhanging front section
available in **Corian®** as standard

Classic

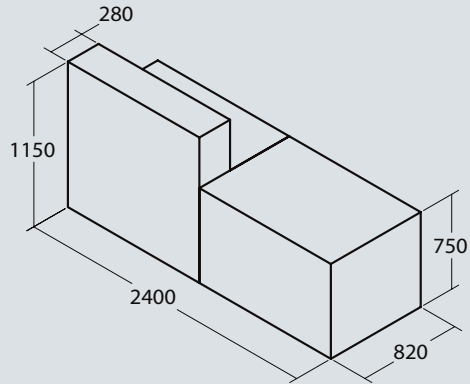


evolution® **Classic** reception desk
with solid counter cap on etch effect or
solid colour glass/acrylic upstand

1 SHAPE

STRAIGHT desks

Left handed upstand
Single person



3 FINISH

All evolution® reception desks are available in a range of 12 plain colour laminates and 12 woodgrain laminates. For a sleeker finish, the feature sections on **Light** and **Xpression** are available in colour matched lacquer, and on the **E•VOKE** in 12 **Corian®** finishes as standard.

evolution® in 3 simple steps

1. Choose your **SHAPE**
2. Choose your **STYLE**
3. Choose your **FINISH**

Terms and conditions of sale available on request.

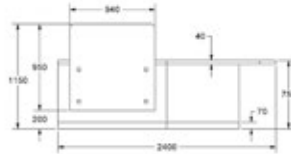
2 STYLE

Zed

- Vertical woodgrain direction
- Logo not included



ZC1-L



LAMINATE

Classic

- Vertical woodgrain direction
- Logo not included



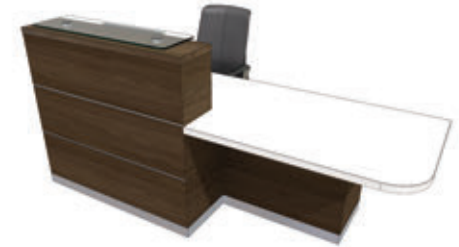
SC1-L



LAMINATE

Eclipse

- Horizontal woodgrain direction



YC1-L



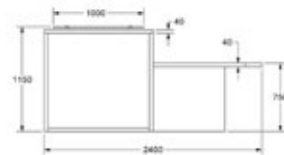
LAMINATE

Light

- Vertical woodgrain direction
- Logo not included



LC1-L



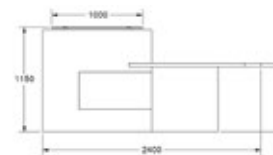
LAMINATE feature section: LACQUER feature section:

Xpression

- Vertical woodgrain direction
- Logo not included



XC1-L



LAMINATE feature section: LACQUER feature section:

E•VOKE

- Vertical woodgrain direction



KC1-L

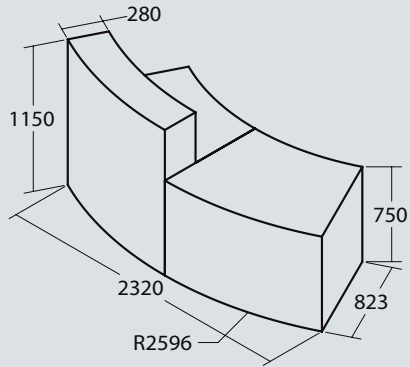


LAMINATE feature section: CORIAN® feature section:

1 SHAPE

CURVED desks

Left handed upstand
Single person



3 FINISH

All evolution® reception desks are available in a range of 12 plain colour laminates and 12 woodgrain laminates. For a sleeker finish, the feature sections on **Light** and **Xpression** are available in colour matched lacquer, and on the **E•VOKE** in 12 **Corian®** finishes as standard.

evolution® in 3 simple steps

1. Choose your **SHAPE**
2. Choose your **STYLE**
3. Choose your **FINISH**

Terms and conditions of sale available on request.

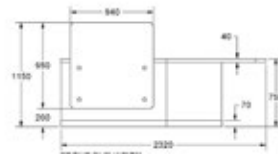
2 STYLE

Zed

- Vertical woodgrain direction
- Logo not included



ZB1-L



LAMINATE

Classic

- Vertical woodgrain direction
- Logo not included



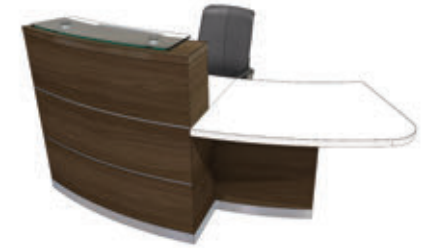
SB1-L



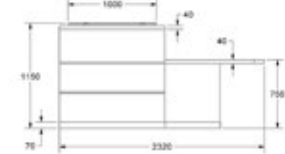
LAMINATE

Eclipse

- Horizontal woodgrain direction



YB1-L



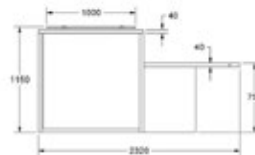
LAMINATE

Light

- Vertical woodgrain direction
- Logo not included



LB1-L



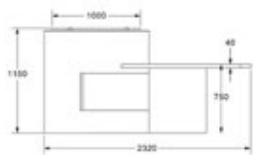
LAMINATE feature section: LACQUER feature section:

Xpression

- Vertical woodgrain direction
- Logo not included



XB1-L



LAMINATE feature section: LACQUER feature section:

E•VOKE

- Vertical woodgrain direction



KB1-L



LAMINATE feature section: CORIAN® feature section:



evolution® Xpression reception desk
with recessed LED down lit feature panel

Light

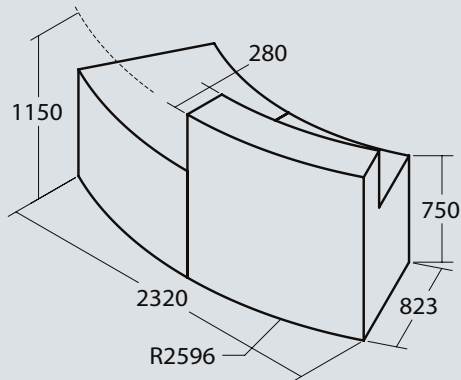


evolution® **Light** reception desk
with feature LED lightbox

1 SHAPE

CURVED desks

Right handed upstand
Single person



3 FINISH

All evolution® reception desks are available in a range of 12 plain colour laminates and 12 woodgrain laminates. For a sleeker finish, the feature sections on **Light** and **Xpression** are available in colour matched lacquer, and on the **E•VOKE** in 12 **Corian®** finishes as standard.

evolution® in 3 simple steps

1. Choose your **SHAPE**
2. Choose your **STYLE**
3. Choose your **FINISH**

Terms and conditions of sale available on request.

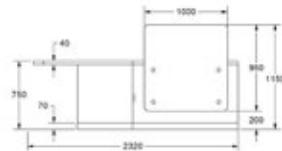
2 STYLE

Zed

- Vertical woodgrain direction
- Logo not included



ZB1-R



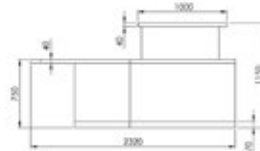
LAMINATE

Classic

- Vertical woodgrain direction
- Logo not included



SB1-R



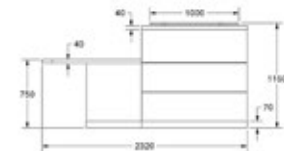
LAMINATE

Eclipse

- Horizontal woodgrain direction



YB1-R



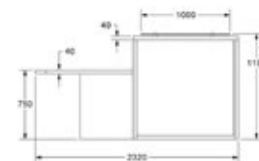
LAMINATE

Light

- Vertical woodgrain direction
- Logo not included



LB1-R



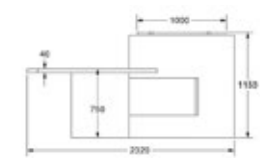
LAMINATE feature section: LACQUER feature section:

Xpression

- Vertical woodgrain direction
- Logo not included



XB1-R



LAMINATE feature section: LACQUER feature section:

E•VOKE

- Vertical woodgrain direction



KB1-R

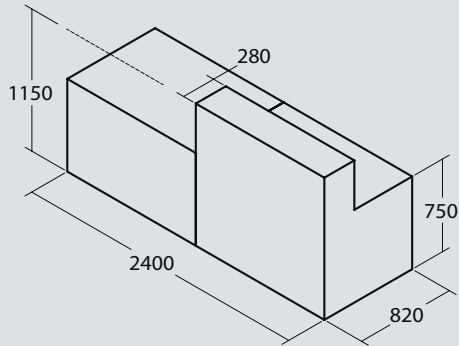


LAMINATE feature section: CORIAN® feature section:

1 SHAPE

STRAIGHT desks

Right handed upstand
Single person



3 FINISH

All evolution® reception desks are available in a range of 12 plain colour laminates and 12 woodgrain laminates. For a sleeker finish, the feature sections on **Light** and **Xpression** are available in colour matched lacquer, and on the **E•VOKE** in 12 **Corian®** finishes as standard.

evolution® in 3 simple steps

1. Choose your **SHAPE**
2. Choose your **STYLE**
3. Choose your **FINISH**

Terms and conditions of sale available on request.

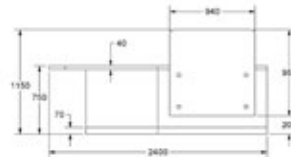
2 STYLE

Zed

- Vertical woodgrain direction
- Logo not included



ZC1-R



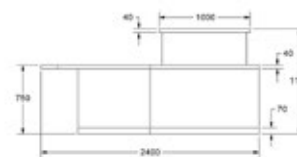
LAMINATE

Classic

- Vertical woodgrain direction
- Logo not included



SC1-R



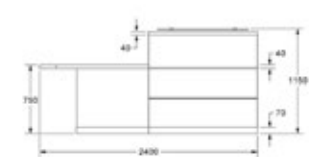
LAMINATE

Eclipse

- Horizontal woodgrain direction



YC1-R



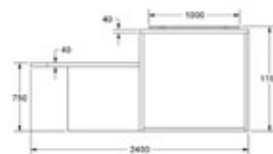
LAMINATE

Light

- Vertical woodgrain direction
- Logo not included



LC1-R



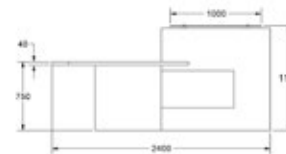
LAMINATE feature section: LACQUER feature section:

Xpression

- Vertical woodgrain direction
- Logo not included



XC1-R



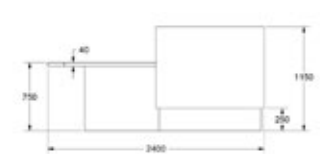
LAMINATE feature section: LACQUER feature section:

E•VOKE

- Vertical woodgrain direction



KC1-R

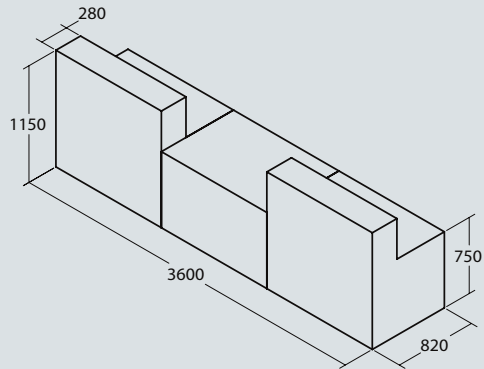


LAMINATE feature section: CORIAN® feature section:

1 SHAPE

STRAIGHT desks

Double upstand
2 person



3 FINISH

All evolution® reception desks are available in a range of 12 plain colour laminates and 12 woodgrain laminates. For a sleeker finish, the feature sections on **Light** and **Xpression** are available in colour matched lacquer, and on the **E•VOKE** in 12 **Corian®** finishes as standard.

evolution® in 3 simple steps

1. Choose your **SHAPE**
2. Choose your **STYLE**
3. Choose your **FINISH**

Terms and conditions of sale available on request.

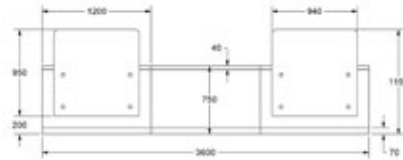
2 STYLE

Zed

- Vertical woodgrain direction
- Logo not included



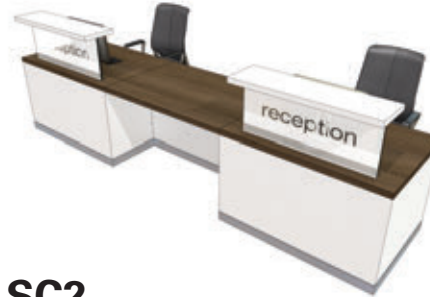
ZC2



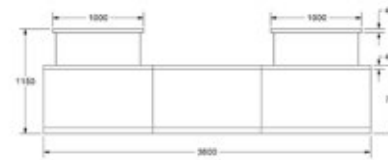
LAMINATE

Classic

- Vertical woodgrain direction
- Logo not included



SC2



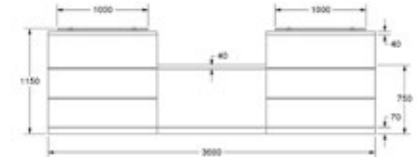
LAMINATE

Eclipse

- Horizontal woodgrain direction



YC2



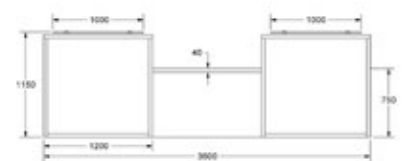
LAMINATE

Light

- Vertical woodgrain direction
- Logo not included



LC2



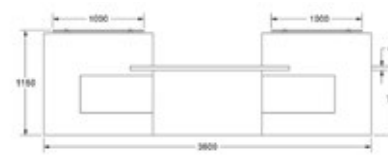
LAMINATE feature section: LACQUER feature section:

Xpression

- Vertical woodgrain direction
- Logo not included



XC2



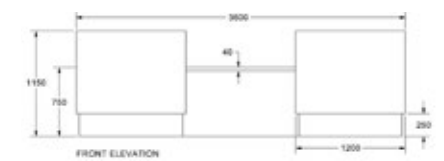
LAMINATE feature section: LACQUER feature section:

E•VOKE

- Vertical woodgrain direction



KC2



LAMINATE feature section: CORIAN® feature section:

Eclipse

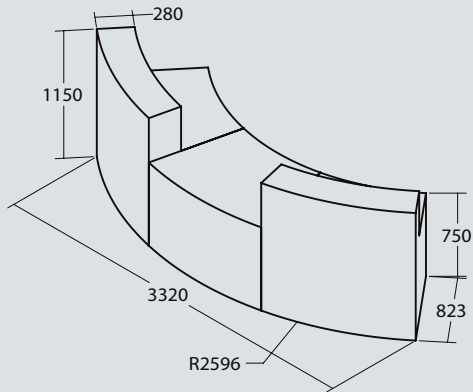


evolution® **Eclipse** reception desk
with feature horizontal banding

1 SHAPE

CURVED desks

Double upstand
2 person



3 FINISH

All evolution® reception desks are available in a range of 12 plain colour laminates and 12 woodgrain laminates. For a sleeker finish, the feature sections on **Light** and **Xpression** are available in colour matched lacquer, and on the **E•VOKE** in 12 **Corian®** finishes as standard.

evolution® in 3 simple steps

1. Choose your **SHAPE**
2. Choose your **STYLE**
3. Choose your **FINISH**

Terms and conditions of sale available on request.

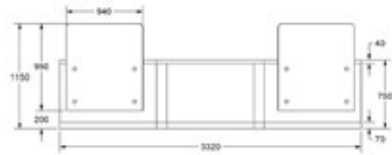
2 STYLE

Zed

- Vertical woodgrain direction
- Logo not included



ZB2



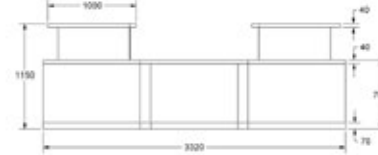
LAMINATE

Classic

- Vertical woodgrain direction
- Logo not included



SB2



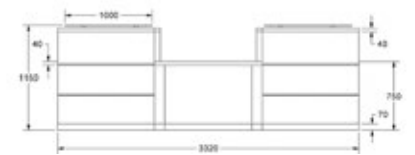
LAMINATE

Eclipse

- Horizontal woodgrain direction



YB2



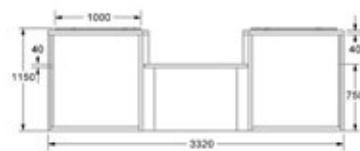
LAMINATE

Light

- Vertical woodgrain direction
- Logo not included



LB2



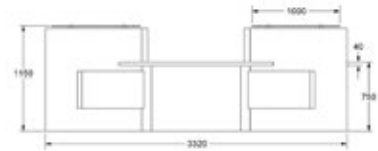
LAMINATE feature section: LACQUER feature section:

Xpression

- Vertical woodgrain direction
- Logo not included



XB2



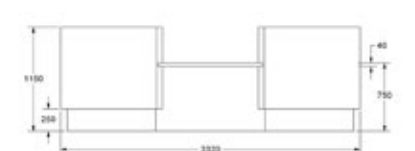
LAMINATE feature section: LACQUER feature section:

E•VOKE

- Vertical woodgrain direction



KB2



LAMINATE feature section: CORIAN® feature section:

Finishes

All evolution® reception desks are available as standard, finished in a choice of matt plain colour or woodgrain laminates with matching PVC edging.

Zed, **Classic** and **Eclipse** have a flush plinth in M2125 Matt Aluminium laminate as standard, and this can also be specified in any of the laminates shown over.

The glass upstand/s on straight **Zed** and **Classic** desks and the acrylic upstand/s on the curved desks are available in three colours of etch effect film as well as the solid acrylic film colours

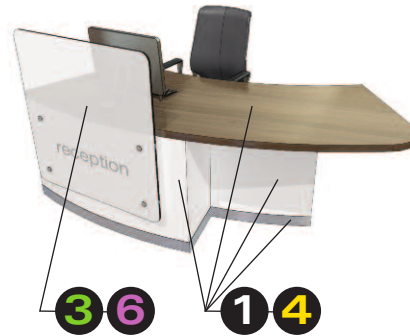
The feature surround on **Light** and **Xpression** can also be specified in a colour matched lacquer finish.

The feature overhanging section on **E•VOKE** can also be specified in a range of **Corian®** finishes as standard.

The internal desk faces of all evolution® reception desks are finished in Egger W980 Platinum White laminate.

For more information and to discuss any specific bespoke finish requirements, that are not covered as part of our standard package, please call our sales team

Zed



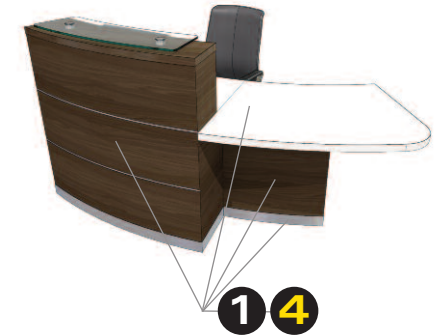
Lettering and graphics on upstand available as an optional extra.

Classic



Lettering and graphics on upstand available as an optional extra.

Eclipse



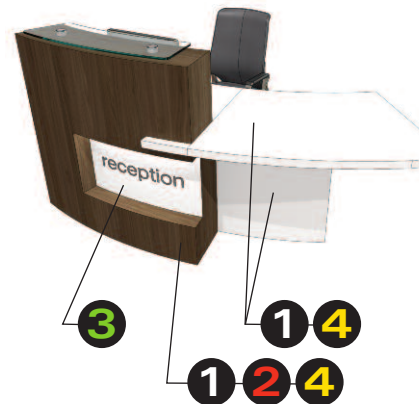
Banding finished in Matt Aluminium laminate unless otherwise specified. Available in all standard finishes as required.

Light



Lettering and graphics on lightbox fascia available as an optional extra.

Xpression



Lettering and graphics on recessed panel available as an optional extra.

E•VOKE



1 PLAIN COLOUR MATT LAMINATE

High gloss finish available on request

- 1 K1040 Alpino
- 2 BSi 00 E 55
- 3 5701T White

- 1 M2125 Matt Aluminium
- 2 RAL 9006 Silver
- 3 990 Silver

- 1 K2081 Sparta
- 2 BSi 00 A 07
- 3 5703T Pearl Grey

- 1 F7927 Folkestone
- 2 BSi 00 A 03
- 3 5705T Dove Grey

- 1 F7912 Storm
- 2 BSi 00 A 13
- 3 5706T Slate Grey

- 1 F2253 Diamond Black
- 2 BSi 00 E 53
- 3 5708T Black

- 1 K1238 Carnival
- 2 BSi 04 E 56
- 3 5733T Fiesta Red

- 1 F2962 Clementine
- 2 BSi 06 E 55
- 3 5723T Tangerine

- 1 F1485 Chrome Yellow
- 2 BSi 10 E 55
- 3 5712T Primrose

- 1 F4177 Lime Green
- 2 BSi 12 E 53
- 3 5754T Lime

- 1 F7851 Spectrum Blue
- 2 BSi 20 E 56
- 3 5744T Bright Blue

- 1 F6907 Amarena
- 2 BSi 02 E 56
- 3 5777T Raspberry

4 WOODGRAIN LAMINATE

- 4 H1521 Maple

- 4 H1298 Sand Lyon Ash

- 4 H1511 Bavarian Beech

- 4 H1381 Winchester Oak

- 4 H1334 Light Ferrara Oak

- 4 H3734 Natural Dijon Walnut

- 4 H3005 Grey Beige Zebrano

- 4 H3006 Sand Zebrano

- 4 H1555 Wenge

- 4 H1615 Romana Cherry

- 4 F1139 Country Cherry

- 4 F9012 Ebony

5 CORIAN®

- 5 Designer White

- 5 Glacier White

- 5 Cameo White

- 5 Vanilla

- 5 Bone

- 5 Elegant Gray

- 5 Pearl Gray

- 5 Seagrass

- 5 Silver Gray

- 5 Noble Ecu

- 5 Serpentine Green

- 5 Ethereal Azure

6 ETCH EFFECT FILM - Glass and acrylic upstand - Zed & Classic

- 6 White

- 6 Blue

- 6 Green

Lacquer finishes are best matched to Formica plain colour laminates using BSi paint matching chart.

PVC Edging for worktops is available to match all plain colour and woodgrain laminates.

Contrast edges available on request.

Please note that the accuracy of all finishes shown is dependant on the constraints of the printing process.

Swatches available on request.

Clarke Rendall reserves the right to alter specification without prior notice.

3 PLAIN COLOUR ACRYLIC FILM

Upstand - Zed & Classic. Lightbox front - Light. Recessed panel - Xpression

Standard evolution® styling details

Plinth finish - flush



Zed, Classic and Eclipse

70mm deep flush plinth finished in M2125 Matt Aluminium laminate unless otherwise specified. Available in all standard finishes as required.

Glass counter cap and posts



Eclipse, Light and Xpression

Clear, toughened glass counter cap supported on two 40mm diameter satin anodised aluminium posts.

Corian® as standard



E•VOKE

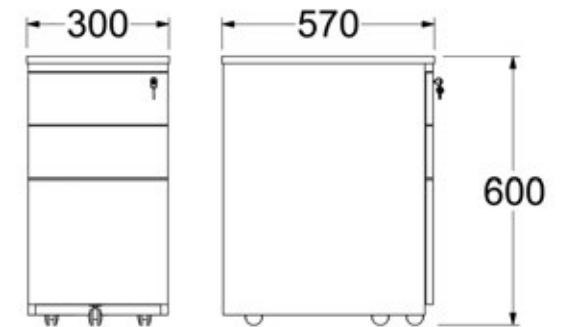
The feature overhanging section on this desk can be specified in a range of 12 **Corian®** finishes as standard.

Additional options for evolution®

Pedestal



White metal finish to match internal desk faces



Additional options for evolution®

Plinth options



As an option, a recessed plinth can be incorporated. This can be finished in Matt Aluminium, or any of the standard laminates.



Using the latest in high efficiency, low power consumption LED ribbon lighting. This option gives a gentle wash of light that can be set to one of a range of static colours or to a colour changing option.



www.genesys-uk.com
sales@genesys-uk.com
0800-122-3319

Logos and graphics



Xpression

Logos and graphics can be displayed in the signature LED lit recessed feature panel. For simple text, cut out vinyl is applied to the rear face of a clear acrylic panel, with your choice of one of the 12 standard vinyl colours as a background. For full colour logos, a high resolution digital output is used.



Zed & Classic

Simple lettering or solid graphics can be displayed in your choice of the three standard etch effect films or 12 standard vinyl colours, either cut-out or full colour options available.



Light

Logos and graphics can be displayed on the large lightbox fascia. For simple text, opaque cut out vinyl is applied to the rear face of a clear acrylic panel, with your choice of one of the 12 standard vinyl colours as a back lit, translucent background. For full colour logos a high resolution digital output is used.



E•VOKE

When finished in **Corian®**, the feature overhanging section of this style of desk can display simple lettering or graphics routed out of the solid surface.