



Genesis

www.genesys-uk.com
sales@genesys-uk.com
0800-122-3319

connection
space that works



Columbus

designed by Jones & Partners

Product Guide

Columbus



Columbus

Executive **style** and **comfort** for reception, breakout and lounge environments.

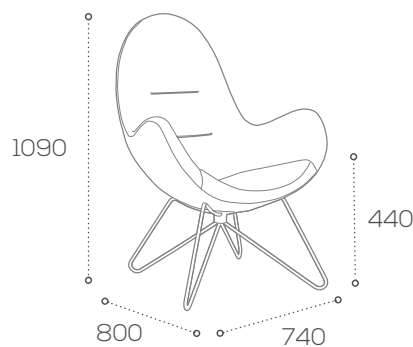


Specification.

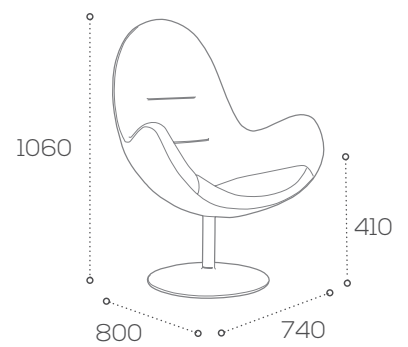
Steel framework, moulded with cold cured polyurethane

Moulded cold cured polyurethane seat cushion.

Option of silver wire frame or aluminium spun swivel or fixed base.



Weight: 21kg



Weight: 18kg



Columbus taking the environmental impact seriously

In everything we do, our aim is to ensure we act ethically and responsibly by adopting a high level of Corporate Social Responsibility. This is embedded in all our practices to the benefit of our customers, employees, suppliers and the communities within which we operate.

Throughout all Connection's processes, we consider their impact upon the environment, from the initial design of the product, through its manufacture and delivery, right up to its disposal when it has reached the end of its useful life.

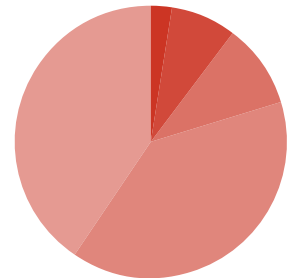
Columbus SCL1

Composition Columbus high back armchair with white or silver wire base

- 24% Recycled Content
- 60% Recyclability
- 62.2kg CO²e Carbon Footprint



- 2.5% Plywood
- 7.9% Aluminium
- 9.9% Fabric
- 39.3% Steel
- 40.4% Polyurethane foam



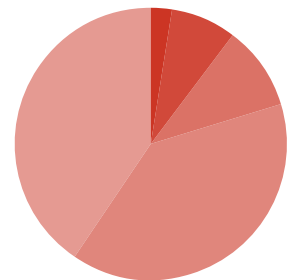
Columbus SCL2

Composition Columbus high back armchair with fixed white or silver trumpet base

- 24% Recycled Content
- 60% Recyclability
- 62.2kg CO²e Carbon Footprint



- 2.5% Plywood
- 7.9% Aluminium
- 9.9% Fabric
- 39.3% Steel
- 40.4% Polyurethane foam



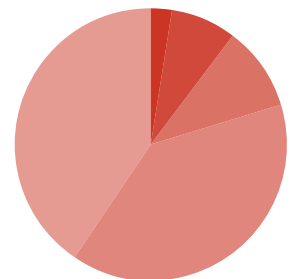
Columbus SCL3

Composition Columbus high back armchair with rotating white or silver trumpet base

- 24% Recycled Content
- 60% Recyclability
- 62.2kg CO²e Carbon Footprint



- 2.5% Plywood
- 7.9% Aluminium
- 9.9% Fabric
- 39.3% Steel
- 40.4% Polyurethane foam





Genesys
www.genesys-uk.com
sales@genesys-uk.com
0800-122-3319

connection
space that works