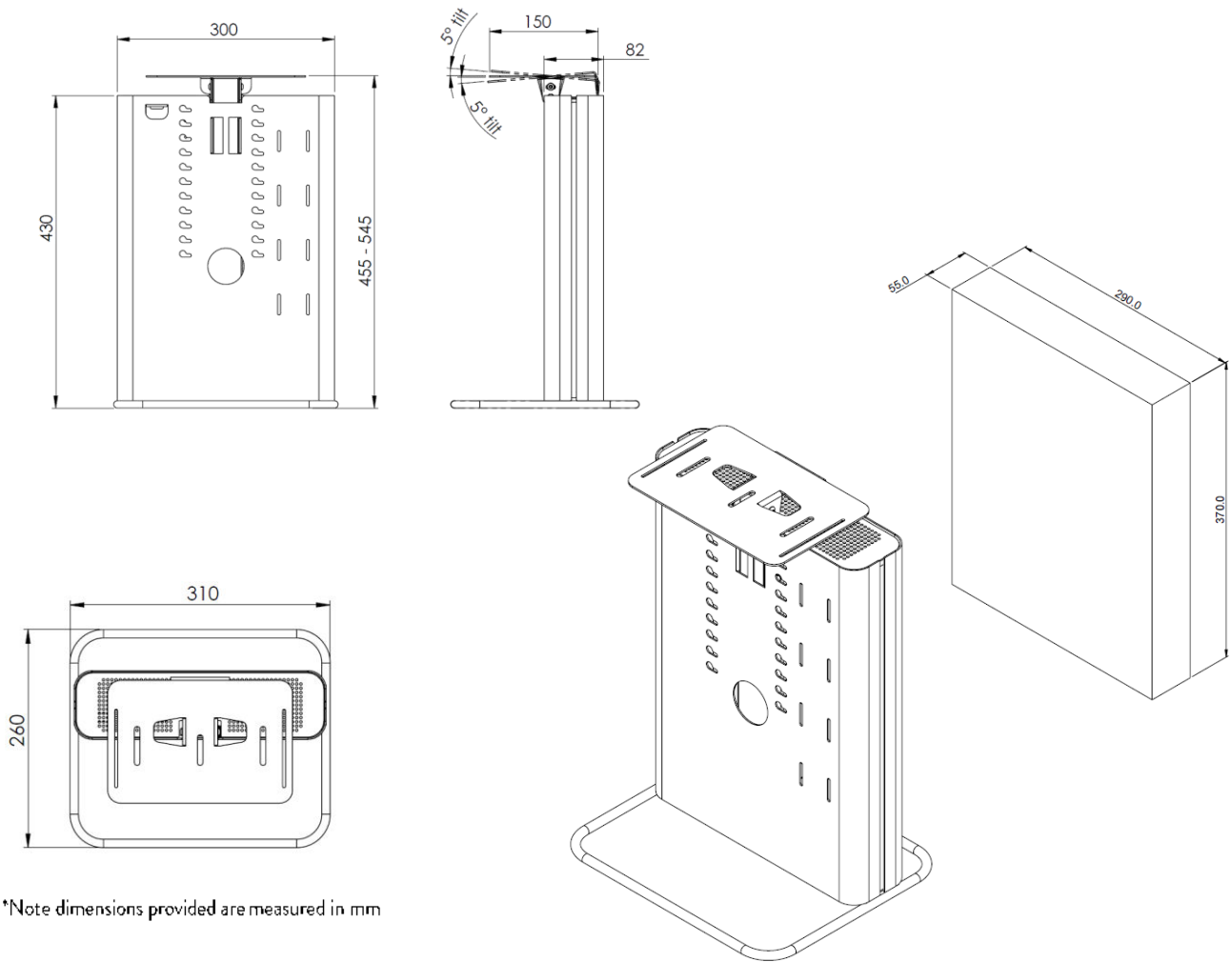




TECHNICAL SPECIFICATION SHEET



PRODUCT NAME: AV/VC Reach
PRODUCT CODE: AVS/014/001



*Note dimensions provided are measured in mm

KEY FEATURES

- Table top VC system suitable for a range of environments
- Single screen mount capacity – 24” to 32”
- Supplied with as telescopic and angle adjustable camera mount that can be adjusted dependant on screen size
- The unit will house a codec, cable management and power supplies
- Perforated top panel to aid ventilation of the codec
- Suitable for 100x100 vesa only

Product Classification	AV Products
Max Monitor Weight	9kg (19.8lbs)
Max Camera Weight	6kg (13.2lbs)
Max Codec Weight	2kg (4.4lbs)
Recycled content	TBC
Total product recyclable	TBC%

LOGISTICAL

Box contains	AV/VC Reach, fixing screws
Product net weight:	6.2kg
Box dims (HxWxD)	440 x 330 x 120 mm
Country of origin	Czech Republic
Country of configuration	UK

ORDERING INFORMATION

Product Description	Product code	Colour
AV/VC Reach	AVS/041/001	:/W White or :/B Black

WARRANTY

Warranty Term	Limited lifetime
----------------------	------------------

COMPLIANCE & SAFETY CERTIFICATION

Whilst no mandatory standards apply to the AV/VC accessory product sector, this product is tested to CBS's own standard which is based on EN60950-1:2006 (Information Technology Equipment-Safety)

Conformance certification	N/A
Test authority	CBS
Safety certification	N/A

ENVIRONMENTAL

Material type	Material type Weight	% PIR of total weight	% PCR of total weight
Data To Be Confirmed			

CLEANING, STORAGE & MAINTENANCE

Routine servicing	Periodic inspection
Service components	Available to order
Cleaning & Maintenance	Damp cloth, no abrasives, no solvents to be used on the cosmetic surfaces
Handling & Storage	Do not drop or expose to moisture