

Acoustic Meet L



- Acoustic Meet L is a perfect venue when you require:



Highly private meetings



Formal meetings

- What makes Meet L so perfect?



Air conditioning

The air-conditioned version keeps everyone feeling comfortable during the meeting.



Mobility

Each modular box can be relocated after partial disassembly.



Modular design

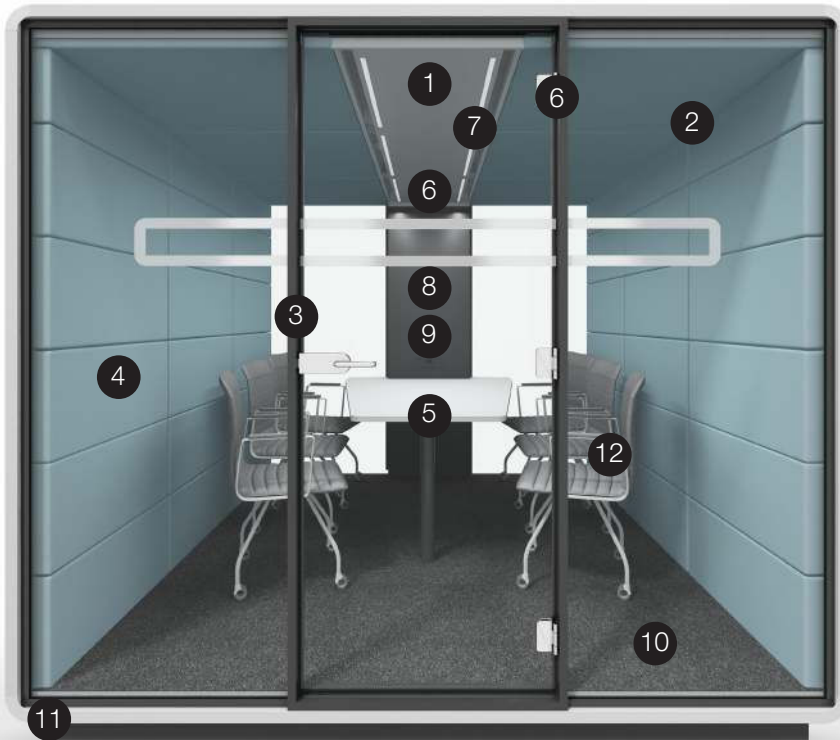
Each Meet L can be expanded with additional modules.



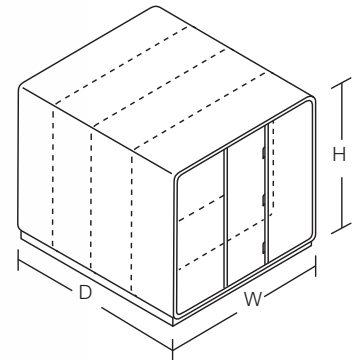
Acoustics

Sound-proofing glass panels and upholstery effectively suppress sounds from the inside and outside.

Features and accessories



Dimensions



W: 2600 mm

D: 1800 to 3600 mm

H: 2300 mm

1 Option: integrated air conditioner

2 Sound-proofed glass panes

3 Aluminium-framed door with sound-proofing seal

4 High-quality upholstered trim with sound-proofing performance

5 Option: ergonomic table

6 LED lights w/brightness control

7 Efficient ventilation system (available in the basic version w/o air conditioning)

8 TV screen mount ready

9 Power and IT outlets (230V + USB + RJ45)

10 Levelled floor

11 Mobile design facilitates relocation with only some disassembly required

12 Fits 4, 6 or 8 chairs (depending on the number of modules)

Available trim versions for Meet L

2 modules

2600x1800x2300

comfortably fits 4 people



3 modules

2600x2700x2300

comfortably fits 6 people



4 modules

2600x3600x2300

comfortably fits 8 people



Colour schemes

■ Carcass finishes



ABB



AGC

■ Interior finishes

Wool upholstery



Mura upholstery



■ Middle column

