

# Acoustic Pods

## Acoustic Meet Open

### Acoustic Meet Open S

#### **Case:**

Construction based on the metal frame and honeycomb board with aluminum nodes. The side walls and the upper finial made of 3-layer honeycomb board, 38mm thickness, both sides melamine faced.

Middle column made of 3-layer melamine chipboard, 18mm thickness.

In the middle column, placed module with electrification. Back blend of middle column in Cosmos grey colour.

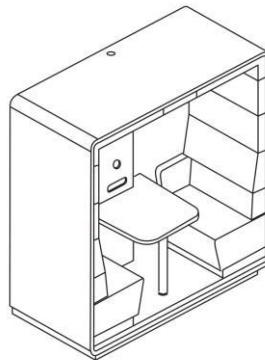
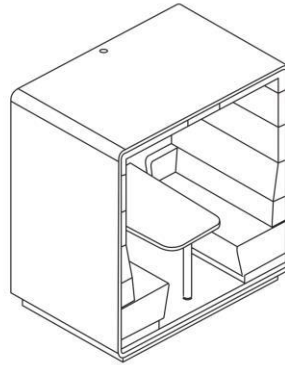
Optional cableway Ø 60mm, enables running cables from the TV, inside the column. Chipboard elements finished with zero-joint edge technology.

Back glass panels made in the glued technology (safety glass)- 10 mm (5.5.2\*) thickness placed in aluminium profiles with acoustic seal.

\* 5mm of tempered glass – 2 layers of acoustic film – 5mm of tempered glass

#### **Tabletop:**

Dimensions 1300 x 770mm (Hush Meet Open) or 810 x 770 mm (Hush Meet Open S), 3-layer melamine chipboard, 25mm thickness. Worktop finished with zero-joint edge, in laser technology.



#### **Upholstered elements:**

Upholstered panels made of chipboard covered with polyurethane foam, upholstered. Option: flame retardant polyurethane foam CM 30120

#### **Fabric:**

##### ✓ **PETRUS**

Weight: 389 g/m2

Composition: 100% polyester

Abrasion resistance: 80,000

Martindale cycles (EN ISO 12947-2)

- light resistance: 3-4  
(EN ISO 105-BO2)

##### ✓ **WOOL**

- Weight: 325 g/m2

- Composition:

70%WO, 20%PL, 5%PA, 5%AF

- Abrasion resistance:

100.000 Martindale cycles

(EN ISO 12947-2)

-Fastness to Rubbing:

Wet: 4/5; Dry: 4/5 (ISO105 – X12)

- Light fastness: 5 (EN ISO 105-BO2)

- Flammability – cigarette and match  
(BS-EN 1021- 1, 2) (BS 5852 – 0, 1)

**REMARK!** TV handle is not in the standard. Maximum recommended size of TV is 32 inches (VESA mount).

## Acoustic Meet

### Acoustic Meet S

#### **Case:**

Construction based on the metal frame and honeycomb board with aluminum nodes. The side walls and the upper finial made of 3-layer honeycomb board, 38mm thickness, both sides melamine faced.

Middle column made of 3-layer melamine chipboard, 18mm thickness.

In the middle column, placed module with electrification. Back blend of middle column in Cosmos grey colour.

Optional cableway Ø 60mm, enables running cables from the TV, inside the column. Chipboard elements finished with zero-joint edge technology.

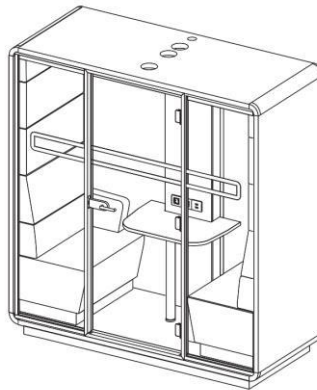
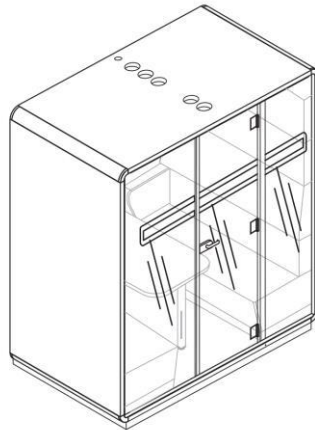
Back and front glass panels made in the glued technology (safety glass)- 10 mm (5.5.2\*) thickness placed in aluminium profiles with acoustic seal. Door made of tempered, bonded glass 4.4.4\* , with handle.

\* 4 mm of tempered glass – 4 layers of acoustic film – 4 mm of tempered glass.

\* 5mm of tempered glass – 2 layers of acoustic film – 5mm of tempered glass.

#### **Tabletop:**

Dimensions 1000 x 770mm (Hush Meet), or 535 x 770 mm (Hush Meet S) 3-layer melamine chipboard, 25mm thickness. Worktop finished with zero-joint edge, in laser technology.



#### **Upholstered elements:**

Upholstered panels made of chipboard covered with polyurethane foam, upholstered. Option: flame retardant polyurethane foam CM 30120

#### **Fabric:**

##### ✓ **PETRUS**

Weight: 389 g/m<sup>2</sup>

Composition: 100% polyester

Abrasion resistance: 80,000

Martindale cycles (EN ISO 12947-2)

- light resistance: 3-4 (EN ISO 105-BO2)

##### ✓ **WOOL**

- Weight: 325 g/m<sup>2</sup>

- Composition:

70%WO, 20%PL, 5%PA, 5%AF

- Abrasion resistance:

100.000 Martindale cycles (EN ISO 12947-2)

-Fastness to Rubbing:

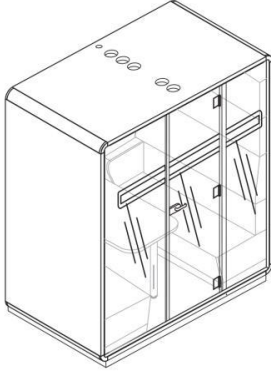
Wet: 4/5; Dry: 4/5 (ISO105 – X12)


- Light fastness: 5 (EN ISO 105-BO2)

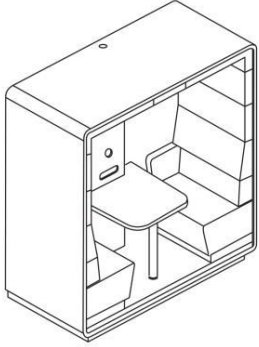
- Flammability – cigarette and match

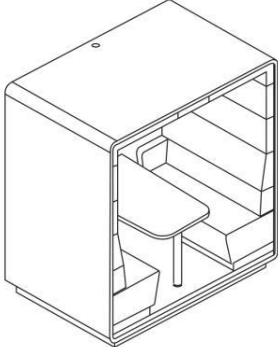
(BS-EN 1021- 1, 2) (BS 5852 – 0, 1)

**REMARK!** TV handle is not in the standard. Maximum recommended size of TV is 32 inches (VESA mount).

<b>Acoustic Meet</b>		
Dimensions: [W x D x H]	Ref. no.	
2150 x 1390 x H2300	HUS-BX-008	

<b>Acoustic Meet S</b>		
Dimensions: [W x D x H]	Ref. no.	
2150 x 900 x H2300	HUS-BX-017	

<b>Acoustic Meet Open S</b>		
Dimensions: [W x D x H]	Ref. no.	
2150 x 900 x H2300	HUS-BX-011	

<b>Acoustic Meet Open</b>		
Dimensions: [W x D x H]	Ref. no.	
2150 x 1390 x H2300	HUS-BX-010	

# CARCASS FINISHES

- ABB  
WHITE
- AGC  
COSMOS  
GREY



# INTERIOR FINISHES

## Upholstery Wool

- |                 |                 |                  |                       |                |                        |
|-----------------|-----------------|------------------|-----------------------|----------------|------------------------|
| TJA<br>JADE     | TSG<br>SEAGRASS | TLI<br>LICHEN    | TWO<br>WOOD-<br>BLINE | TMS<br>MUSTARD | TCA<br>CAMEO           |
| TBI<br>BISCUIT  | TDU<br>DUST     | THI<br>CHINCHILA | TTM<br>AUTUMN         | TSN<br>SIENNA  | TTE<br>TERRA-<br>COTTA |
| TFI<br>FIRE     | TPL<br>PLUM     | TPC<br>PELICAN   | TSI<br>SILVER         | TPE<br>PEWTER  | TGR<br>GREY            |
| TON<br>ONYX     | TST<br>STORM    | TIN<br>INDIGO    | TEG<br>EGGPLANT       | TFU<br>FUCHSIA | TOR<br>ORCHID          |
| THY<br>HYACINTH | TCL<br>CLOUD    | TRC<br>ARCTIC    | TEM<br>EMERALD        |                |                        |

## Upholstery Petrus

- |               |                       |                        |                |               |                |
|---------------|-----------------------|------------------------|----------------|---------------|----------------|
| TCE<br>ICYCLE | TNT<br>NIGHT          | TNX<br>ONYX            | TDM<br>DENIM   | TDK<br>DUCK   | TKI<br>KIWI    |
| TGA<br>IGUANA | TAG<br>AMBER-<br>GLOW | TWN<br>WATER-<br>MELON | TER<br>EMPEROR | TCS<br>CROCUS | TMT<br>MAGENTA |

## Middle column

- AGC  
COSMOS  
GREY
- ABB  
WHITE

## Rear glass

- PRZ  
CLEAR
- MGA  
FROSTED

## Desk

- ABB  
WHITE

## Steel pedestal

- JAN  
ANTHRA-  
CITE

# GREEN WALL

Take care about the quality of the air in your office. Each Hush can be equipped with green wall, full of the vital plants.



3 different dimensions, fits to each Hush pod.