

Sddit Bento Laptop Riser ergonomic toolbox



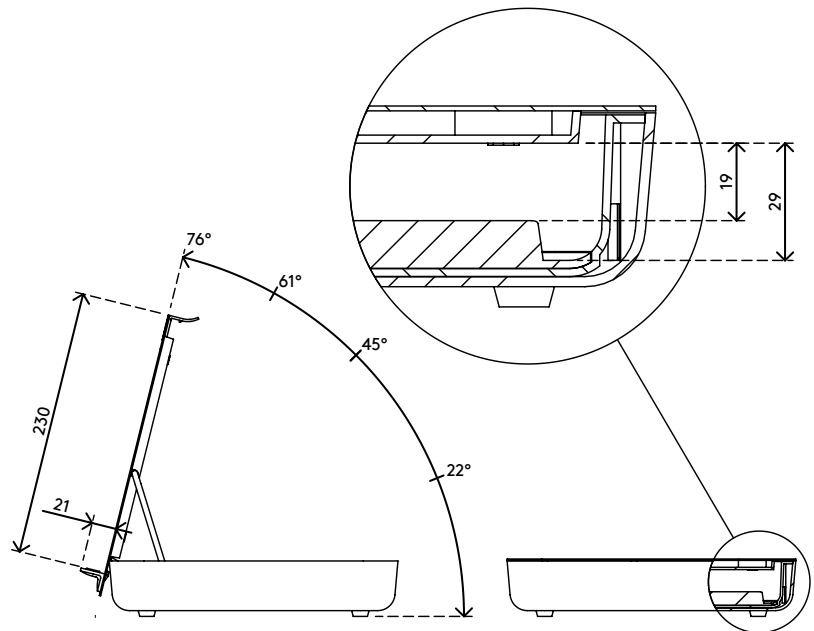
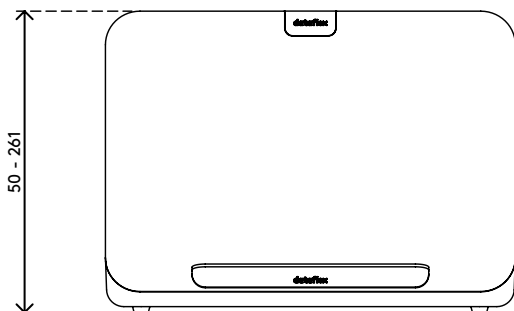
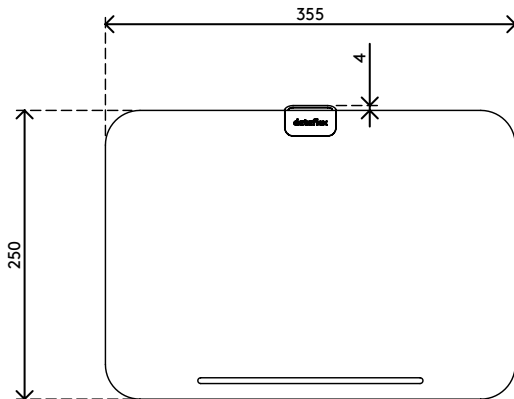
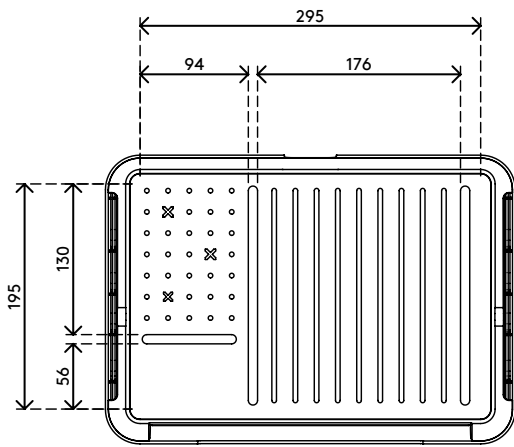
45.900



45.903

Inspired by the Japanese lunch box, the Addit Bento ergonomic toolbox neatly stores your personal items inside. It also ergonomically supports your favourite devices or documents – whether you are working at your desk from the office or from home. Designed by Robert Bronwasser.

- Offers ergonomic and practical benefits for any type of workstation
- Great for hot desking and agile working
- Can be used as a notebook stand, tablet stand or in-line document holder
- Neatly stores your office utensils, documents (A4) and devices (up to 12")
- Shaped inlay made of silicone rubber protects contents
- Tilttable cover has 4 ergonomic settings and is height adjustable from 134 - 240 mm
- Cover offers support to notebooks up to 15"
- Comes with clever magnetic snap-on support ledge
- Works great with Addit Bento® monitor risers
- Max. weight capacity of 6 kg
- Dimensions (w x d x h): 355 x 250 x 50 - 240 mm




6 kg




305 mm (12")

45.900 / 45.903

 376 x 265 x 54 mm

 1 pcs

 white or black

 2,2 kg