

addit 

Warranty



45.453 black



45.450 white



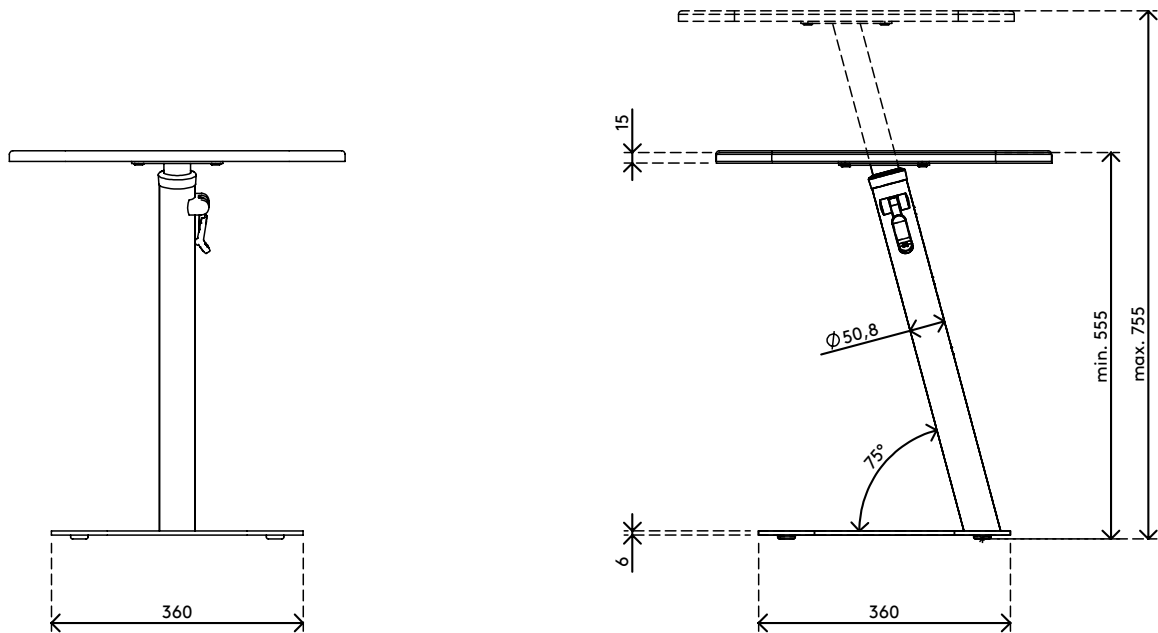
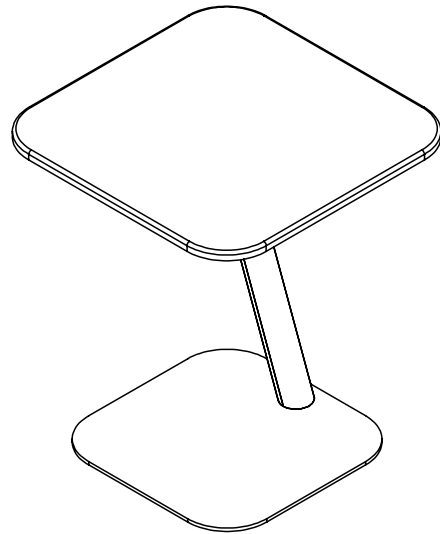
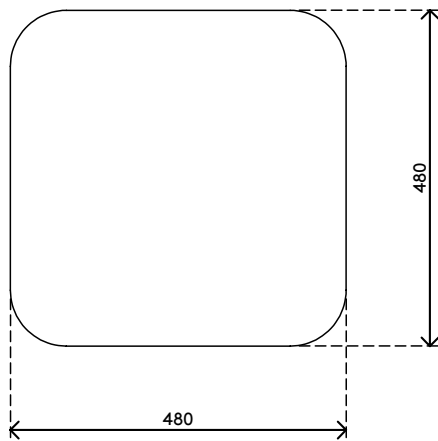
Bento laptop table adjustable 450

The Bento laptop table is designed for Activity Based Working environments but works and looks great almost everywhere.

- Great design matches all interiors
- Create touch down workstations everywhere
- Perfect for Activity Based Working environments
- Safe height adjustment mechanism with built in soft-drop
- Height adjustable from 555 - 755 mm
- Suitable for hard floors and carpet
- Max. weight capacity of 15 kg (33 lb)
- Dimensions (w x d x h): 480 x 480 x 555 - 755 mm (19 x 19 x 21,65 - 29,5")

feeling at work

addit



15 kg

Bento laptop table adjustable 450

2023/04/17

 640x575x172mm

 14,60kg