



MEET4 COLLECTION  
**EQUUS TABLES**  
SPECIFICATION GUIDE



MADE IN THE UK

# General Specifications

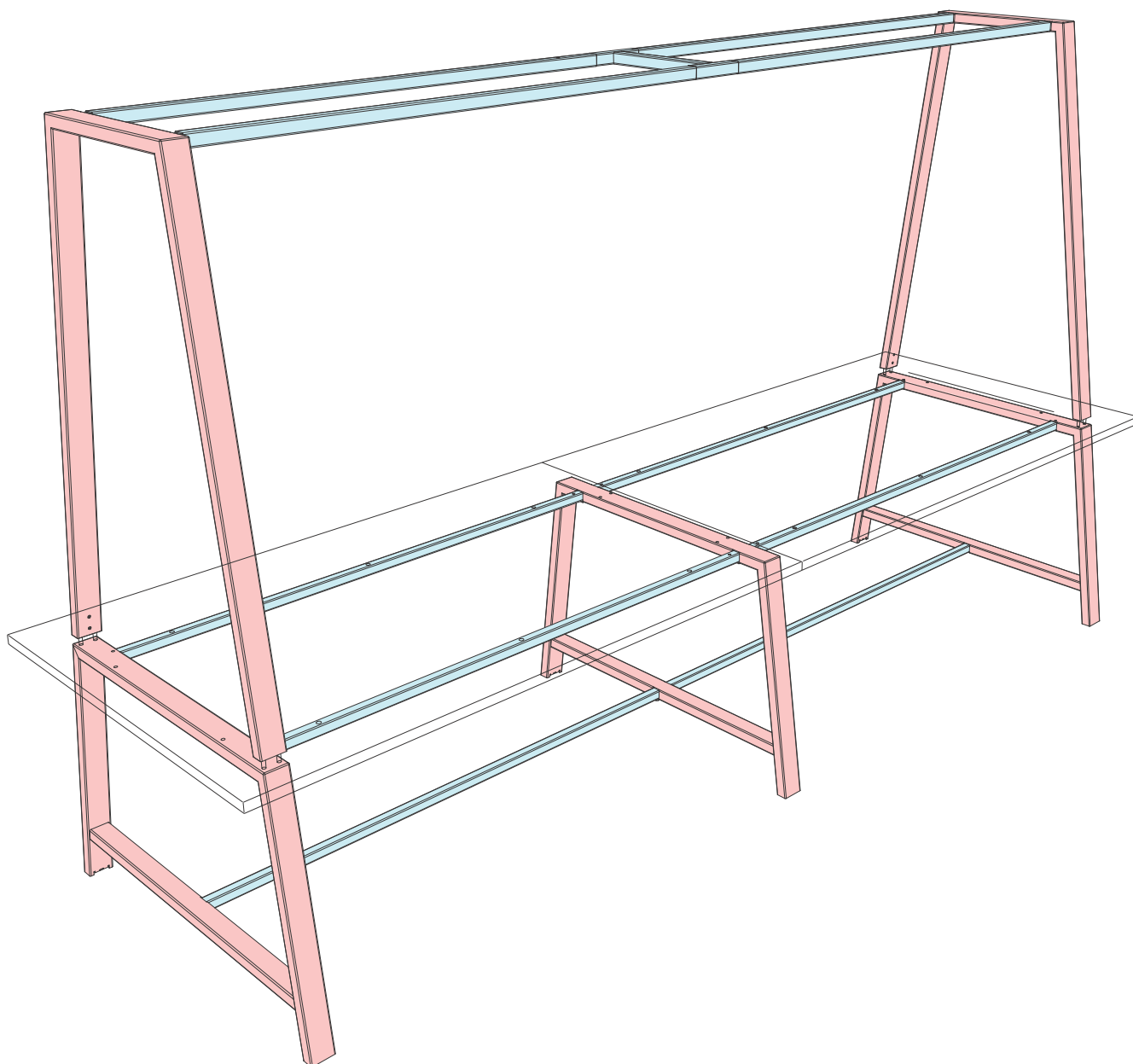
## Equus Table System

Slim 'A' frame table with footrail and matching bench seat. These tables are perfect for meeting rooms, breakout, reception and cafe areas.

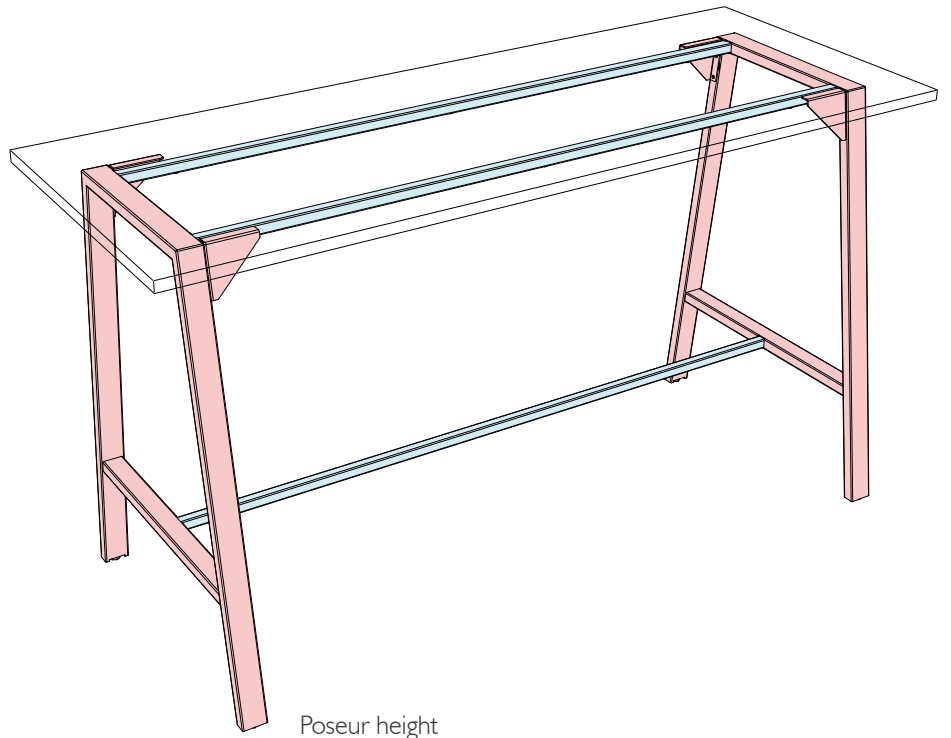
Available 740mm high or 1100mm poseur height in 700mm, 800mm and 1000mm depths. All tables have a mobile option on castors.

1000mm deep tables have an overhead frame option from which lighting, plants etc can be displayed.

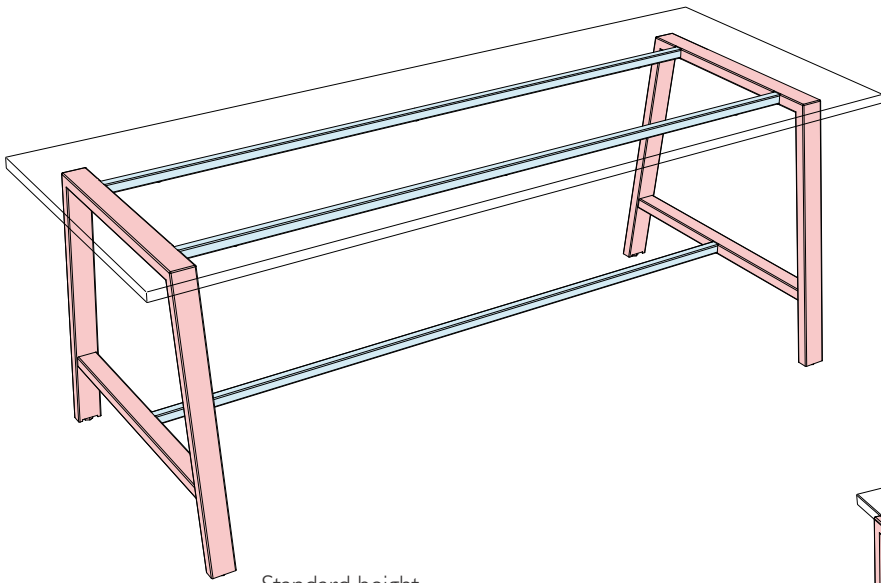
All worktops come as standard with 2mm ABS matching edge. Contrasting colour and thickness edges are available at extra cost. Please confirm if this required with your Sales Manager when ordering.



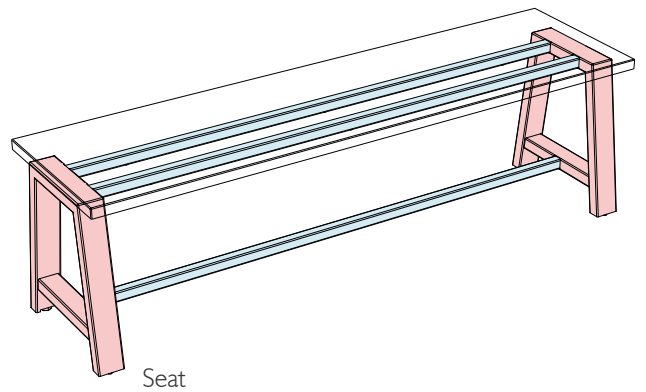
Standard height with overhead frame



Poseur height



Standard height



Seat

## Warranty Details

Steel understructure - 25 Years  
Worksurfaces - 5 Years



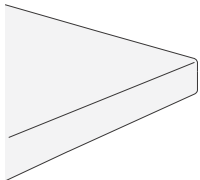
## Indoor Advantage Gold - Furniture

This product is certified to Indoor Advantage Gold - Furniture, making it suitable for many building rating systems, including LEED v4, BREEAM, & WELL Building.

# 740mm high - MFC



Square edge  
MFC Worktops



For mobile  
tables add  
**/MOB** to the  
end of the  
product code.

Surcharge per  
table.

740mm high with 25mm MFC worktop.  
Other sizes available.  
For cable management options, please see page 11.

Width	Product Code
<b>700mm deep</b>	
1200mm	EQU/ST/0712/MFC
1400mm	EQU/ST/0714/MFC
1600mm	EQU/ST/0716/MFC
1800mm	EQU/ST/0718/MFC
2000mm	EQU/ST/0720/MFC
<b>800mm deep</b>	
1200mm	EQU/ST/0812/MFC
1400mm	EQU/ST/0814/MFC
1600mm	EQU/ST/0816/MFC
1800mm	EQU/ST/0818/MFC
2000mm	EQU/ST/0820/MFC
<b>1000mm deep</b>	
1200mm	EQU/ST/1012/MFC
1400mm	EQU/ST/1014/MFC
1600mm	EQU/ST/1016/MFC
1800mm	EQU/ST/1018/MFC
2000mm	EQU/ST/1020/MFC

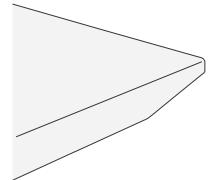
# 740mm high - Chamfered MDF

740mm high with 25mm Chamfered MDF worktop.  
Other sizes available.  
For cable management options, please see page 11.



Width	Product Code
<b>1100mm deep</b>	
1200mm	EQU/ST/0712/MDF
1400mm	EQU/ST/0714/MDF
1600mm	EQU/ST/0716/MDF
1800mm	EQU/ST/0718/MDF
2000mm	EQU/ST/0720/MDF
<b>800mm deep</b>	
1200mm	EQU/ST/0812/MDF
1400mm	EQU/ST/0814/MDF
1600mm	EQU/ST/0816/MDF
1800mm	EQU/ST/0818/MDF
2000mm	EQU/ST/0820/MDF
<b>1000mm deep</b>	
1200mm	EQU/ST/1012/MDF
1400mm	EQU/ST/1014/MDF
1600mm	EQU/ST/1016/MDF
1800mm	EQU/ST/1018/MDF
2000mm	EQU/ST/1020/MDF

Chamfered edge  
MDF Worktops



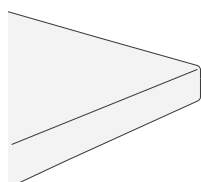
For mobile  
tables add  
**/MOB** to the  
end of the  
product code.

Surcharge per  
table.

# Poseur height - MFC



Square edge  
MFC Worktops



For mobile  
tables add  
**/MOB** to the  
end of the  
product code.

Surcharge per  
table.

1100mm high with 25mm MFC worktop.  
Other sizes available.  
For cable management options, please see page 11.

Width	Product Code
<b>700mm deep</b>	
1200mm	EQU/PO/0712/MFC
1400mm	EQU/PO/0714/MFC
1600mm	EQU/PO/0716/MFC
1800mm	EQU/PO/0718/MFC
2000mm	EQU/PO/0720/MFC
<b>800mm deep</b>	
1200mm	EQU/PO/0812/MFC
1400mm	EQU/PO/0814/MFC
1600mm	EQU/PO/0816/MFC
1800mm	EQU/PO/0818/MFC
2000mm	EQU/PO/0820/MFC
<b>1000mm deep</b>	
1200mm	EQU/PO/1012/MFC
1400mm	EQU/PO/1014/MFC
1600mm	EQU/PO/1016/MFC
1800mm	EQU/PO/1018/MFC
2000mm	EQU/PO/1020/MFC

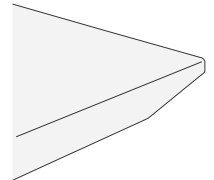
# Poseur height - Chamfered MDF

1100mm high with 25mm Chamfered MDF worktop.  
Other sizes available.  
For cable management options, please see page 11.



Width	Product Code
	1100mm deep
1200mm	EQU/PO/0712/MDF
1400mm	EQU/PO/0714/MDF
1600mm	EQU/PO/0716/MDF
1800mm	EQU/PO/0718/MDF
2000mm	EQU/PO/0720/MDF
	800mm deep
1200mm	EQU/PO/0812/MDF
1400mm	EQU/PO/0814/MDF
1600mm	EQU/PO/0816/MDF
1800mm	EQU/PO/0818/MDF
2000mm	EQU/PO/0820/MDF
	1000mm deep
1200mm	EQU/PO/1012/MDF
1400mm	EQU/PO/1014/MDF
1600mm	EQU/PO/1016/MDF
1800mm	EQU/PO/1018/MDF
2000mm	EQU/PO/1020/MDF

Chamfered edge  
MDF Worktops



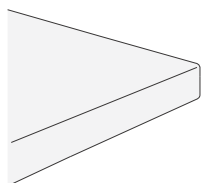
For mobile  
tables add  
**/MOB** to the  
end of the  
product code.

Surcharge per  
table.

# 740mm high with overhead frame - MFC



Square edge  
MFC Worktops



For mobile  
tables add  
**/MOB** to the  
end of the  
product code.

Surcharge per  
table.

Six leg, 740mm high with 25mm MFC worktop and overhead frame.  
Other sizes available.  
For cable management options, please see page 11.

Width	Product Code
	1000mm deep
2200mm	EQU/ST/1022/MFC/OT
2600mm	EQU/ST/1026/MFC/OT
3000mm	EQU/ST/1030/MFC/OT
3200mm	EQU/ST/1032/MFC/OT
3400mm	EQU/ST/1034/MFC/OT
3800mm	EQU/ST/1038/MFC/OT



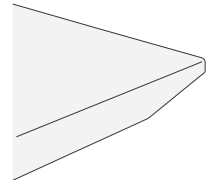
# 740mm high with overhead frame - Chamfered MDF

Six leg 740mm high with 25mm Chamfered MDF worktop and overhead frame.  
Other sizes available.  
For cable management options, please see page 11.



Width	Product Code
	1100mm deep
2200mm	EQU/ST/1022/MDF/OT
2600mm	EQU/ST/1026/MDF/OT
3000mm	EQU/ST/1030/MDF/OT
3200mm	EQU/ST/1032/MDF/OT
3400mm	EQU/ST/1034/MDF/OT
3800mm	EQU/ST/1038/MDF/OT

Chamfered edge  
MDF Worktops

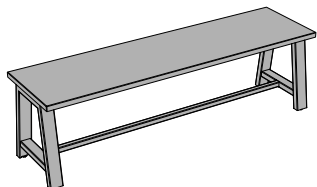


For mobile  
tables add  
**/MOB** to the  
end of the  
product code.

Surcharge per  
table.

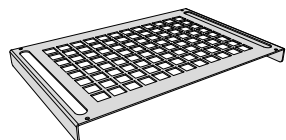
# Bench Seat

410mm high MFC seat, 380mm deep with matching 'A' frame base.



Width	Product Code	List Price (£)
1000mm	EQUUS/SEAT/1000	
1200mm	EQUUS/SEAT/1200	
1400mm	EQUUS/SEAT/1400	
1500mm	EQUUS/SEAT/1500	
1600mm	EQUUS/SEAT/1600	
1800mm	EQUUS/SEAT/1800	

# Optional Extras

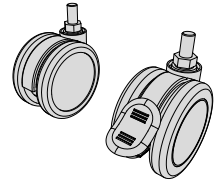
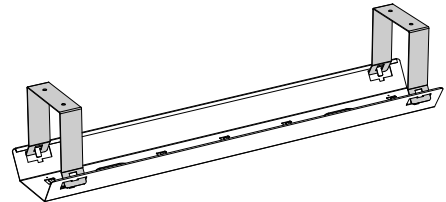
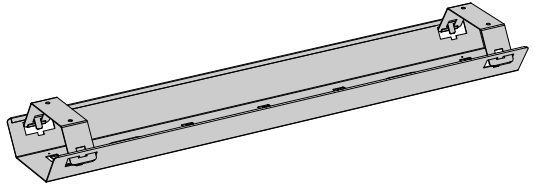


Description	Product Code
Overhead Frame Tray for planters etc	EQU/PN2/OTT/TRAY

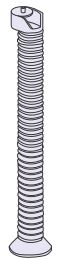
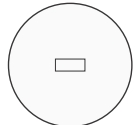
Equus has a selection of decorative planting blocks that are placed in the overhead trays. These consist of compostable floral foam covered in preserved foliage, hanging garlands of real ivy that hook over the tray in your choice of location and hanging pots supplied with snap fixings that simply click into place. Please contact Sales for more details.

# Optional extras

Description	Product Code
Small Hinge-down Cable Tray (includes brackets)	CN3/SS/EDLT/CT/10
Medium Hinge-down Cable Tray (includes brackets)	CN3/SS/EDLT/CT/12-18
Large Hinge-down Cable Tray (includes brackets)	CN3/SS/EDLT/CT/18
Deep cable tray brackets. <i>Required on 800mm deep tables, optional for all other depths</i> (pair)	CN3/SS/EDLT/CT/DP/BKT
Pair of castors, one locking. <i>One pair required per leg.</i>	EQU/PN2/CASTOR



Description	Code
80mm dia cable grommet & cover	8BD/1G
Rectangular cable port hole	8BD/1CP
Cable riser - black finish	8BD/WM3/001/B
Cable riser - translucent finish	8BD/WM3/001/T



Long cable sock for 1110mm high tables  
CABLESOCK1100

# Care & maintenance

---

KI products are designed and manufactured to withstand the tough demands of work environments. Care and regular light cleaning will keep the furniture looking its best for many years.

## IMPORTANT CARE & SAFETY INFORMATION

- Melamine/MFMDf and other decorative worksurfaces will naturally wear over time resulting in shiny patches, particularly parts that are regularly used for mouse control and where the worksurface comes into contact with clothes, skin etc.
- **Always use mouse mats to minimise the long-term effects of continuous contact and movement within the same area of the top.**
- Once the workstations/tables have been assembled, sited and wired they should not be moved
- Never attempt to drag them across the floor, which will stress and strain the end legs
- Avoid placing your furniture in direct sunlight, as sunlight causes fading
- Mats and coasters must be used as they offer the best protection from scratches, hot liquid and water marks
- Heavy office equipment such as printers should be placed on protective pads to avoid scratches to the worksurface
- Never drag heavy equipment across a worktop as this will damage the worksurface
- Do not immerse any part of the workstations/tables in water or any liquid
- Check all cords (power, control keypad, etc.) every 6 months to make sure there are no kinked, pinched or frayed wires



Should any items of furniture require repair, please contact KI (UK) Ltd for further information.

---

The guide below is intended to help where furniture has become marked or stained. Please check for colour fading in a discreet area when using any detergents or chemicals. Always follow the manufacturer of the cleaning products' instructions before use.

## GENERAL CARE

Proper care and careful use are the best methods of maintaining the appearance and finish of any product. Any desk or table worksurface is vulnerable to scratching and damage.

Your workstations/tables metal understructure is finished with durable powder-coated paint. Worktops are generally Melamine Faced Chipboard (MFC) or Melamine Faced Medium Density Fibreboard (MFMDf) (laminated).

Other worktop finishes e.g. Lino or Fenix NTM® should be cleaned according to the manufacturer's instructions.

Apart from regular cleaning, KI workstations are considered to be maintenance free however the following should be observed during a bench's lifetime:

## FRAMEWORK

- Where cleaning of the frame is required, a mild detergent solution should be used
- Harsh abrasives, acids, alkalis or bleaching products should not be used
- Touch-up paint in all standard KI colours is available to repair minor chips and scratches. Follow the instructions on the packaging to ensure the best results.

## MFC/ MFMDf WORKTOPS

- Melamine faced worksurfaces will naturally wear over time, particularly parts that are regularly rubbed. Utilizing a mouse mat will protect against this natural wear and tear.
- Work tops are easy to maintain, simply use a damp cloth and a mild detergent or non-abrasive cleaner to keep the surface clean and hygienic
- Potential stains should be removed immediately (the use of abrasive cleaners should always be avoided)
- Use an all-purpose cleaner to remove ink stains, crayon and water-based paint marks
- Use thinners to remove oil-based paint stains (pour onto a soft cloth, not directly on the surface) - avoid contact with the worktop edging, as this will cause damage
- Never use excessive water to clean work surfaces. Wetness or excessive moisture can cause laminate worktops to swell, warp or appear to grow in thickness