

**MONITOR ARM**

**FSA**

It is important to pick the correct monitor arm depending on the needs of your office. Two of the main things to consider when choosing the right monitor arm are the weight of the monitor and how many monitors are mounted; single or dual monitors. The FSA (Flat Screen Arm) monitor arm range has been designed to hold the latest screen technology, allowing the end user to adjust height, angles and viewing preferences, which in return helps employees reap the rewards of correct posture in the work place.



**FEATURES**

- Three Mounting Options:
  - 1) Clamp Fitting - Top Fix and Under desk
  - 2) Grommet Fitting
  - 3) Through Desk
- WEEE No: WEE/JD0067TX
- Cable management
- Available colours



Screen size  
17" - 30"



Tilt Range  
+80° ~ -80°



Swivel Range  
+110° ~ -110°



Screen Rotation  
+360° ~ -360°



VESA Compatible  
75x75 & 100x100



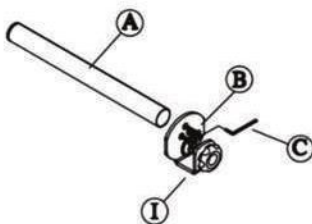
Curved  
Monitor



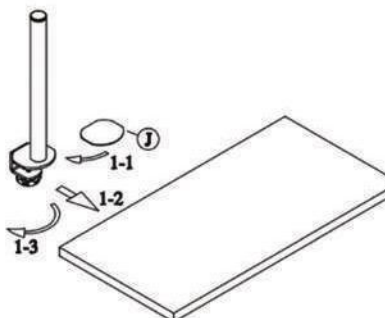
Cable  
Management

**MOUNTING INSTRUCTIONS**

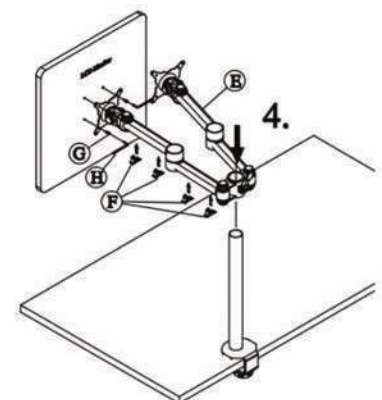
**STEP 1**



**STEP 2**



**STEP 3**

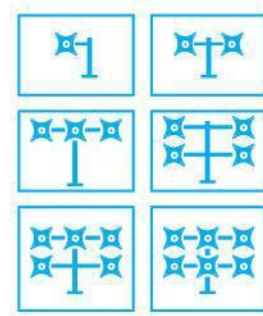


## MONITOR ARM

# FSA

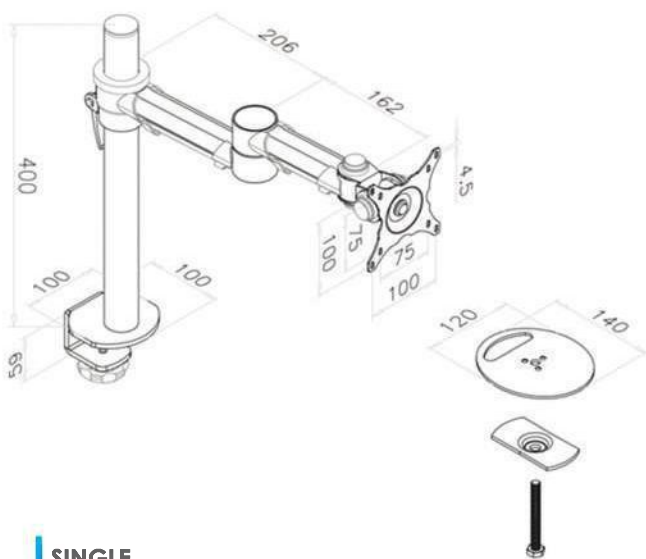
## SPECIFICATIONS

Product Category:	Mechanical Clamp Monitor Arm
Rank:	Medium
Material:	Aluminium, Plastic, Steel
Surface Finish:	Powder Coated
Colour:	Mat Black, Mat White and Silver
Box dimensions:	Single: 530 x 180 x 110mm, Double: 620 x 240 x 120mm
Fit Screen size:	Single: 17"-30", Double : 17"-24"
Fit Curved Monitor:	Yes
Weight Capacity (per screen):	Single: 20kg, Double: 13kg per arm
VESA Compatible:	75x75mm, 100x100mm
Tilt Range:	+80° ~ -80°
Swivel Range:	+110° ~ -110°
Screen Rotation:	+360° ~ -360°
Arm Full Extension:	Single: 368 mm, Double: 818 mm
Installation:	Clamp: Top Fix and Under Desk, Grommet, Through Desk
Suggested Desktop Thickness:	Clamp: 10-30mm, Grommet: 10-70mm
Quick Release VESA Plate:	Yes
Cable Management:	Yes

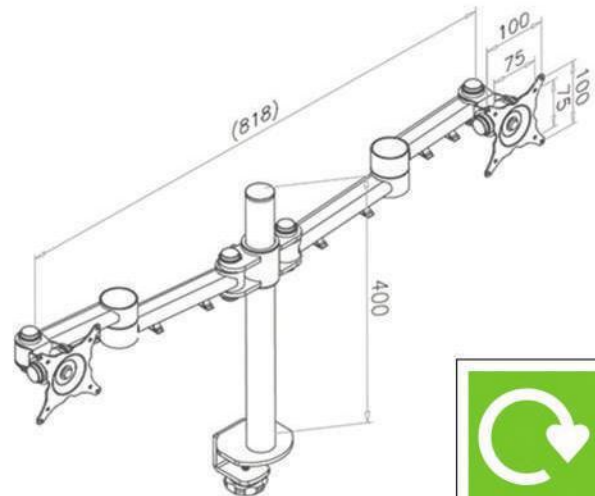


Available from one to six arms

## DIMENSIONS



**SINGLE**



**DOUBLE**

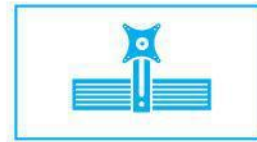


## MONITOR ARM

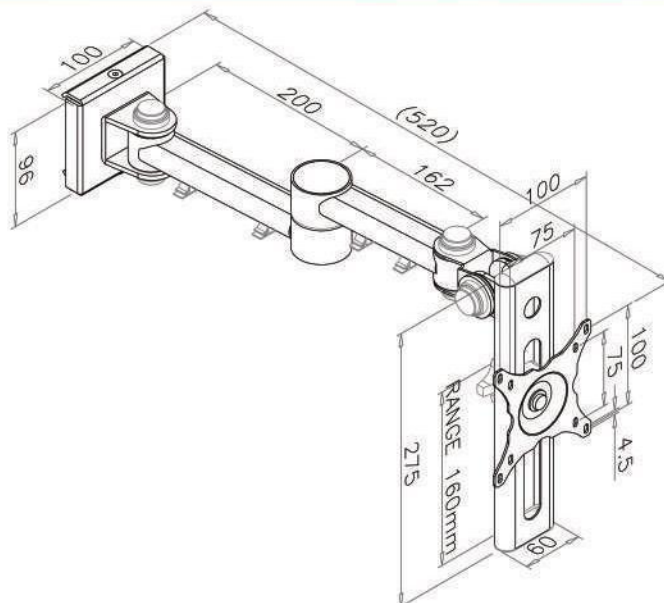
# FSA

### TOOL RAIL SPECIFICATIONS

Product Category:	Single Tool Rail
Rank:	Medium
Material:	Steel, Plastic
Surface Finish:	Powder Coated
Colour:	Matt White and Silver
Box dimensions:	370 x 140 x 130mm
Fit Screen size:	27"
Fit Curved Monitor:	Yes
Weight Capacity (per screen):	8kg
VESA Compatible:	75x75mm, 100x100mm
Tilt Range:	+80° ~ -80°
Swivel Range:	+110° ~ -110°
Screen Rotation:	+360° ~ -360°
Arm Full Extension:	520mm
Installation:	Tool Rail
Suggested Desktop Thickness:	N/A
Quick Release VESA Plate:	N/A
Cable Management:	Yes



Tool rail monitor arm.



SINGLE

