






FourCast2 Wheeler

Designed by Strand and Hvass



Features




- Gas lift, 410-585mm
- Black base with castors as standard
- Optional Aluminium base
- Inno® Tab, flexible and rotating writing tablet
- FourCast® Wheeler can be hung on the Four®Eating folding table by means of a chair suspension to aid floor cleaning


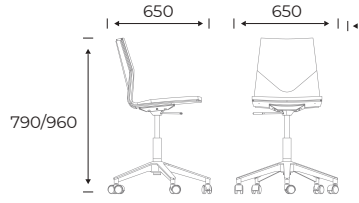

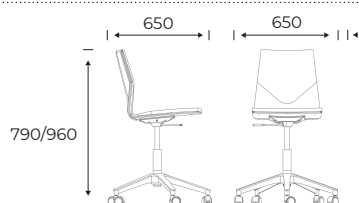

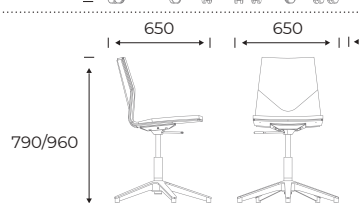

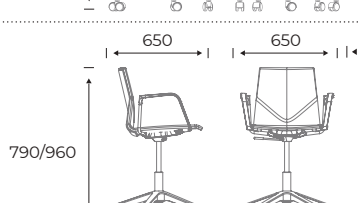
 See individual product entries	 5 year warranty
 Min 95% Excluding upholstery	 Stated in product description
 Upholstery available in fabric, leather and vinyl	

FourCast 2 Wheeler shell options




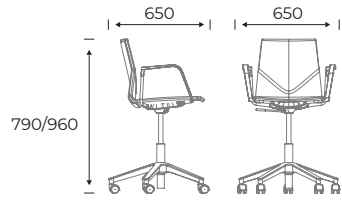

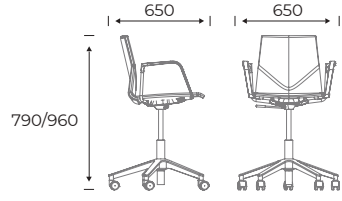
Frame powder coating options



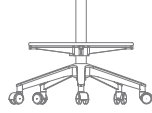



Standard	Optional	
 B Black - RAL7021 5-10 working days	 A Aluminium 4-6 week lead time Surcharge applies	 Monochrome 6 week lead time Surcharge applies

	Dimensions (mm)	Lead time
 <p>FC2W polypropylene chair with black base, castors, and gas 7.9 kg</p>		6 weeks
 <p>FC2WS polypropylene chair with black base, castors, gas and seat pad 8.4 kg</p>		5-10 working days
 <p>FC2WU polypropylene chair with black base, castors, gas and fully upholstered 6.9 kg</p>		6 weeks
 <p>FC2WA polypropylene chair with black base, castors, and gas with arms 10.6 kg</p>		6 weeks

FourCast2 Wheeler

Designed by Strand and Hvass

		Dimensions (mm)	Lead time
	FC2WAS polypropylene chair with black base, castors, gas, seat pad and arms 11.1 kg	 650 x 650 x 790/960	6 weeks
	FC2WAU polypropylene chair with black base, castors, gas, fully upholstered with arms 9.6 kg	 650 x 650 x 790/960	6 weeks

Description	Dimensions (mm)	Lead Time
 IT2 Foldable Inno Tab with integrated cup holder and dashboard for tablet and phone	L:520mm x W:320mm x H: 230mm	5-10 working days
 Surcharge for griphook (price and lead time on application)		Price and lead time on application
 Surcharge for gas lift including footring	Extra height gas lift with footring 649mm x 900mm	6 weeks
 HOOK Bag hook/ hanger, black		6 weeks
 FOOT Black. No additional charge		6 weeks
 ALU Additional charge for aluminium base with black castors.	Dia 652 cm	6 weeks

