

FourPeople Modular Seating

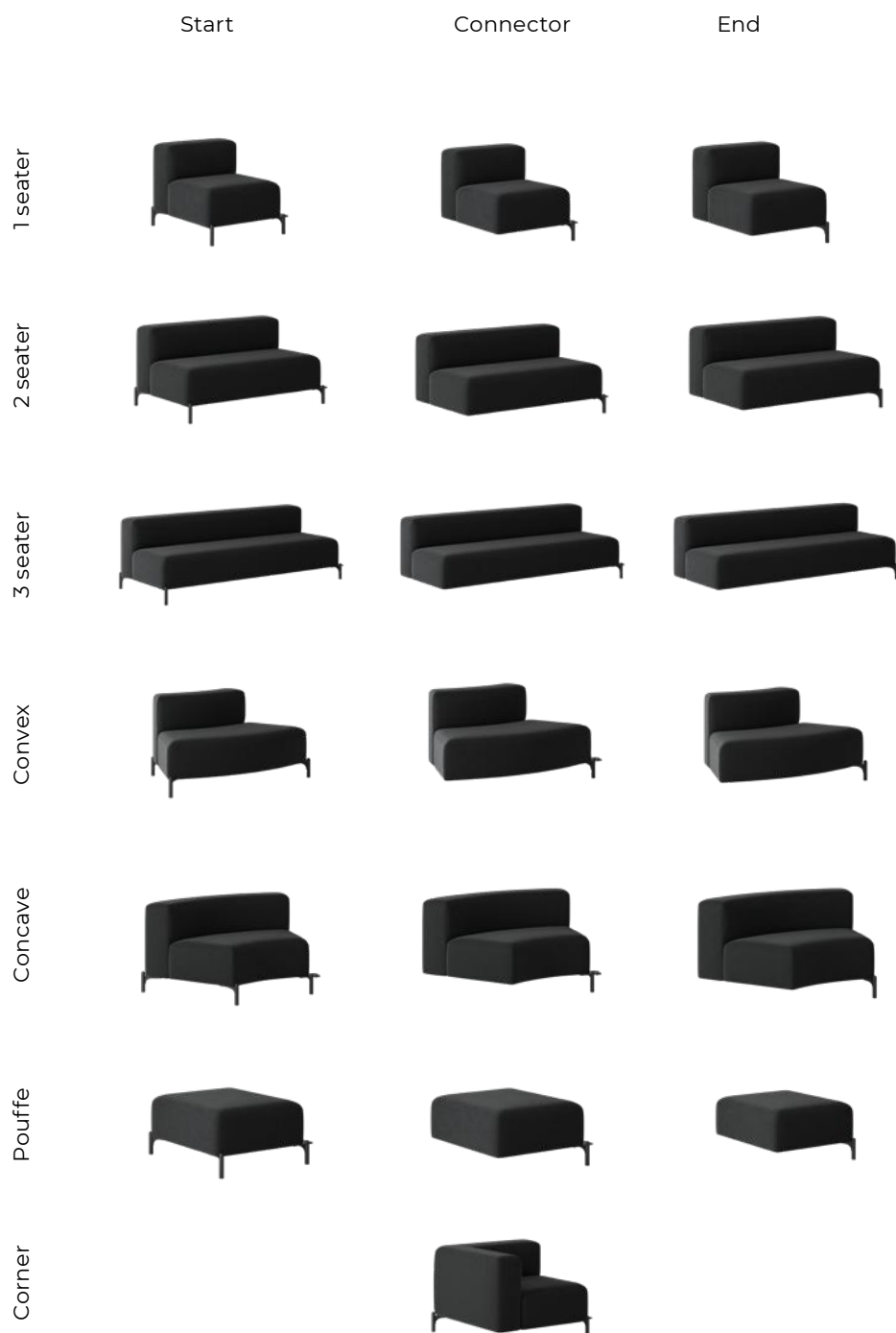
Designed by Nørgaard Design

 **Genesisys**
OFFICE FURNITURE
DELIVERING FURNITURE SOLUTIONS SINCE 1997
www.genesys-uk.com sales@genesys-uk.com



FourPeople Modular Seating

Modules overview



FourPeople Modular Seating

Designed by Nørgaard Design



Features

Multifunctional modular soft seating range with endless configuration

The range includes one, two, three seater sofas, Convex, Concave, Corner modules and Pouffe

The price is the same if it's a start, connector or an end module

Two tone fabric options available

Armrest option

Power & data options to customise level of connectivity

Same design philosophy as FourLikes

Leg and frame in standard black (RAL7021)



8 weeks
subject to fabric
availability



5 year warranty



Min 95%
Excluding upholstery



SKA rated



Upholstery available
in various fabrics. For
recommendations,
please contact your
sales representative.

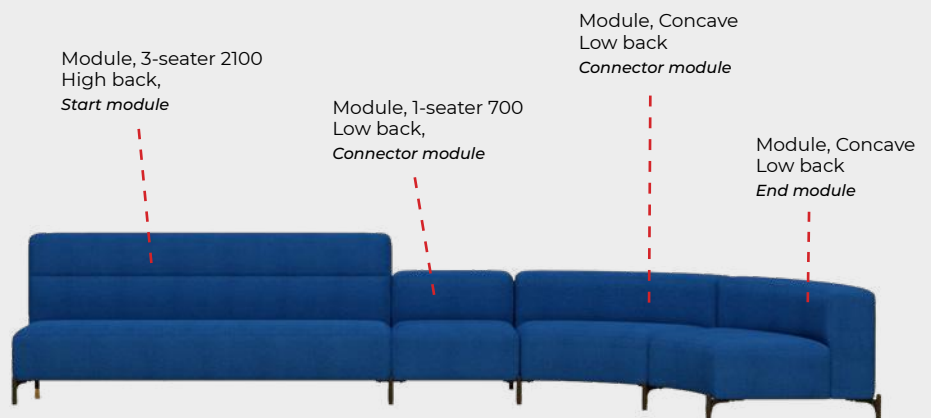
Standard powder coating
frame options:




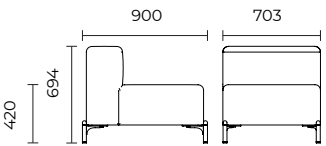

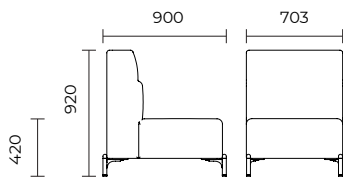

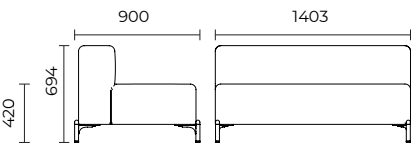

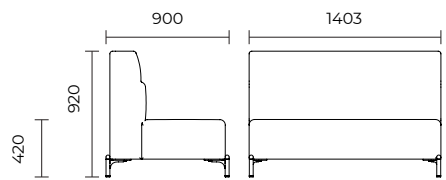

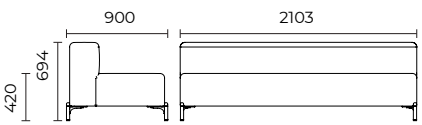

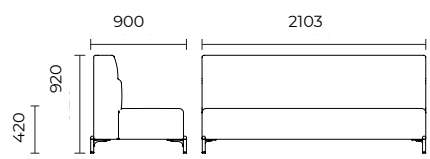
B Black - RAL7021

4 week lead time

Configuration Example 1



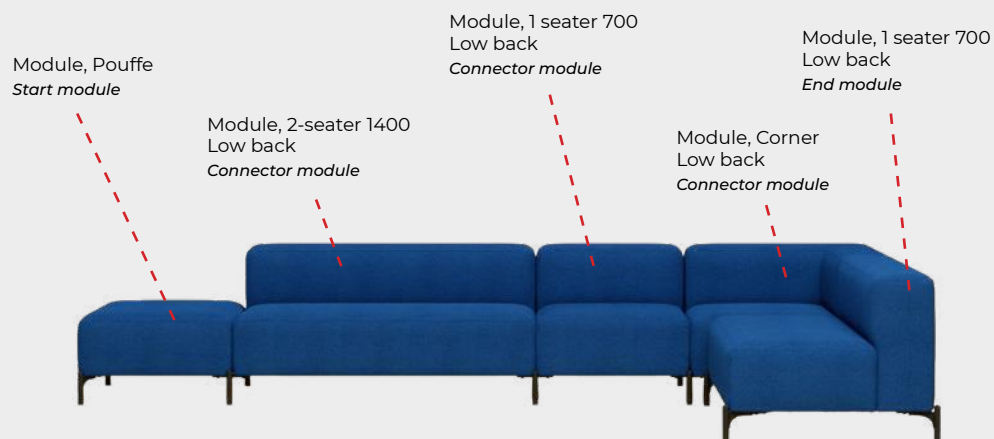
FourPeople Modular Seating

Dimensions (mm)		Dimensions (mm)	
			
FP/MS/B/LB/1 FourPeople Module, 1 seater 700, Low back		FP/MS/B/HB/1 FourPeople Module, 1 seater 700, high back	
			
FP/MS/B/LB/2 FourPeople Module, 2 seater 1400, Low back		FP/MS/B/HB/2 FourPeople Module, 2 seater 1400, high back	
			
FP/MS/B/LB/3 FourPeople Module, 3 seater 2100 Low back		FP/MS/B/HB/3 FourPeople Module, 3 seater 2100, high back	


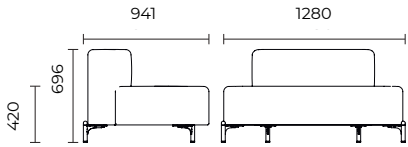

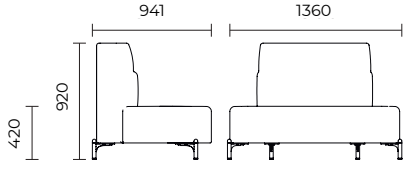

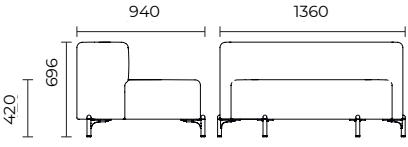

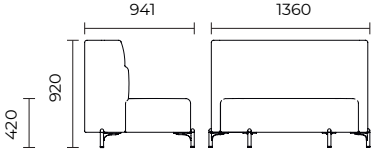

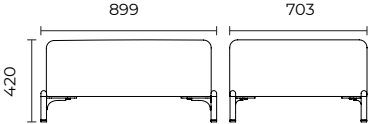

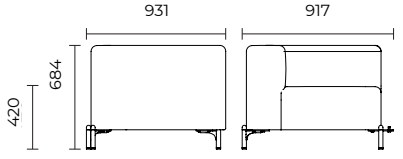

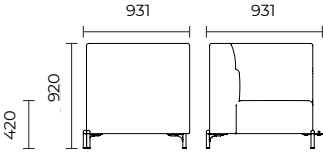
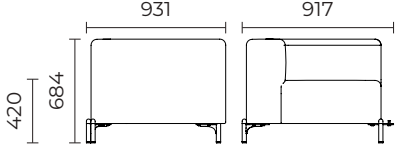
Prices

Code	Description
FP/MS/B/LB/1	Module, 1 seater 700, Low back <i>Start / Connector / End</i>
FP/MS/B/HB/1	Module, 1 seater 700, High back <i>Start / Connector / End</i>
FP/MS/LB/2	Module, 2 seater 1400, Low back <i>Start / Connector / End</i>
FP/MS/HB/2	Module, 2 seater 1400, High back <i>Start / Connector / End</i>
FP/MS/LB/3	Module, 3 seater 2100, Low back <i>Start / Connector / End</i>
FP/MS/HB/3	Module, 3 seater 2100, High back <i>Start / Connector / End</i>

Configuration Example 2



FourPeople Modular Seating

Dimensions (mm)		Dimensions (mm)	
			
FP/MS/B/LB/45V FourPeople Module, Convex, low back		FP/MS/B/HB/45V FourPeople Module, Convex, high back	
			
FP/MS/B/LB/45C FourPeople Module, Concave, low back		FP/MS/B/HB/45C FourPeople Module, Concave, high back	
			
FP/MS/B/P FourPeople Module, Pouffe		FP/MS/B/LB/90C FourPeople Module, Corner, low back	
			
FP/MS/B/HB/90C FourPeople Module, Corner, high back			

Code	Description
FP/MS/B/LB/45V	Module, Convex, Low back <i>Start / Connector / End</i>
FP/MS/B/HB/45V	Module, Convex, High back <i>Start / Connector / End</i>
FP/MS/B/LB/45C	Module, Concave, Low back <i>Start / Connector / End</i>
FP/MS/B/HB/45C	Module, Concave, High back <i>Start / Connector / End</i>
FP/MS/B/P	Module, Pouffe <i>Start / Connector / End</i>
FP/MS/B/LB/90C	Module, Corner, Low back <i>Connector</i>
FP/MS/B/HB/90C	Module, Corner, High back <i>Connector</i>

Accessories

Code	Description
ARMREST	Armrest (<i>Surcharge for adding 1 armrest</i>)
CUSHION	560x280mm

