

FourReal®A

Designed by Studio Ocee

FourReal®A is a clever, multi-purpose space saving solution for all types of environments. The FourReal®A table is the perfect platform for collaborating, socialising, learning and focusing. By using the A-frame to hang lighting, plants, or your own accessories, you can create an attractive, comfortable and inspirational space for dining, collaborating or solo work.



Features

Legs: D32 x 2.5 mm, S235 steel, EN 10305-3 F300C

Rail: Aluminium EN AW-6063 T





2 integrated castors PUR/PA6

For 6-8 people

Top shelves available

Range of other table tops and finishes available on request

Chair suspension available

 6 weeks	 5 year warranty
 Stated in product description	 Min 95% recyclable


Standard Frame colours





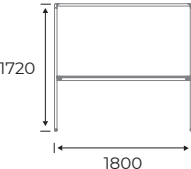
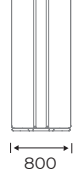
B
Black

6-8 week lead time

Optional powder coating frame colours:


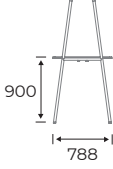
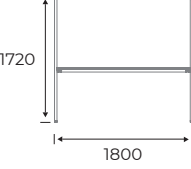
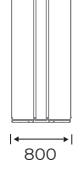
Range	Lead time	Price
 Monochrome	6-8 Weeks	

FourReal®A 74

 <p>FRA74/18/8 FourReal®A 74 1800 x 800mm 51.8 kg</p>	Dimensions (mm)			Price bands					
				Top Band	Top 1	Top 2	Top 3	Top 4	Top 5
	740	1720	788						
				Price					
				MOQ	1	3	3	3	3
				Lead time	6 weeks	8 weeks	8 weeks	8 weeks	8 weeks

Optional powder coating colours, 6-8 weeks lead time. Surcharge applies

FourReal®A 90

 <p>FRA90/18/8 FourReal®A 90 1800 x 800mm 51.8 kg</p>	Dimensions (mm)			Price bands - top details on page 272					
				Top Band	Top 1	Top 2	Top 3	Top 4	Top 5
	900	1720	788						
				Price					
				MOQ	1	3	3	3	3
				Lead time	6 weeks	8 weeks	8 weeks	8 weeks	8 weeks

Optional powder coating colours, 6-8 weeks lead time. Surcharge applies

FourReal®A, XL and AV Accessories



Prices

Code	Description	Price
FRASHELF600	Shelf for FourReal®A 600mm length	

Prices

Code	Description	Price
FRPLANT	Plant pot for FourReal® A	

* Please note - plants are not included

FourReal®A, XL and AV Cable Management



Cable Spine



Clamp

Prices

Code	Description	Price
FRA74CM	Cable management for FourReal® A 74 including; 1 X Cable Spine 780 TWB Black, 2 X QL Clamp kit 1000	
FRA90CM	Cable management for FourReal® A 74 including; 1 X Cable Spine 780 TWB Black, 4 X Cable Spine 40 SEG Black, 2 X QL Clamp kit 1000	

Prices

Code	Description	Price
LINEAR/B	CMD Linear – 1 x UK socket, 1 x twin Type A + Type C USB , black	
LINEAR/W	CMD Linear – 1 x UK socket, 1 x twin Type A + Type C USB , white	



Tables can be supplied with ready prepared holes for clients to add their own electrics at a surcharge

The positioning of electrical units should be confirmed on all tables prior to order placement.

Other Nano Laminates colours available on request (price and lead time on application).

Please note, FourReal®A, XL & AV will be delivered flat packed.