

Introducing Hatton

Experience the epitome of refined simplicity with Hatton Chairs. Designed to seamlessly integrate into any environment, these versatile chairs offer endless possibilities. With their lightweight construction, stackable design and effortless mobility, Hatton Chairs allow for hassle-free reconfiguration of spaces.

Meticulously crafted, Hatton Chairs feature an unmistakable silhouette that combines both comfort and durability. Each chair is constructed from a single piece of injection-moulded polypropylene and fiberglass blend, ensuring longevity and resilience. Whether used indoors or outdoors, Hatton Chairs require minimal maintenance and are easy to clean, making them the perfect seating choice for a variety of settings, including cafes, libraries, sports venues, informal meetings, breakout areas and much more.

Discover the perfect harmony of form and function with Hatton Chairs, and elevate your space with a touch of sophistication.

Available in 10 stylish and sophisticated colours

Hatton Chairs



Designed with waterfall seat edge for enhanced comfort

Includes glides as standard, providing floor protection for all types of surfaces

Textured surface ensures a secure grip and prevents slippage

Constructed from a single piece injection moulded polypropylene / fibreglass blend

Polypropylene Colours

Cottonwood

Iron Grey

Ash Grey

Purple Haze

Flannel

Custom colours available upon request, subject to suitability and minimum order quantities. POA.

Powder Blue

Moss Green

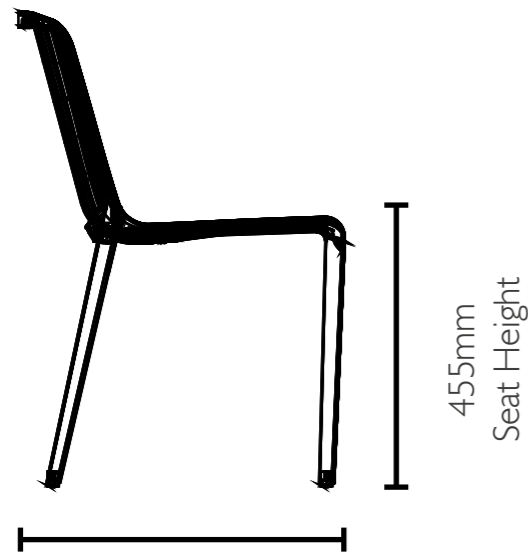
Parrot Green

Rose Blossom

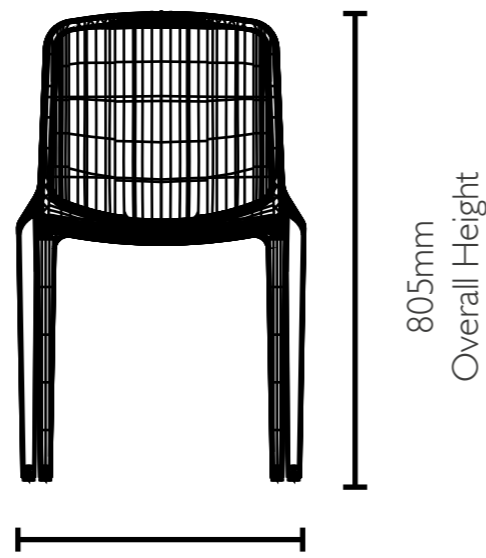
Poppy Red

Product Specifications

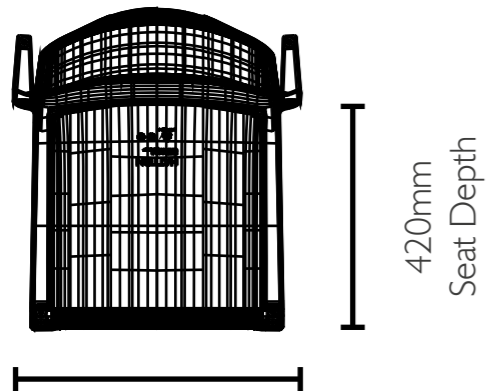
Quick Ship: Chairs & Transport Dollies in stock, ready for 1-2 week delivery to mainland UK. Please Contact KI team for stock availability, lead times and custom colour requests.



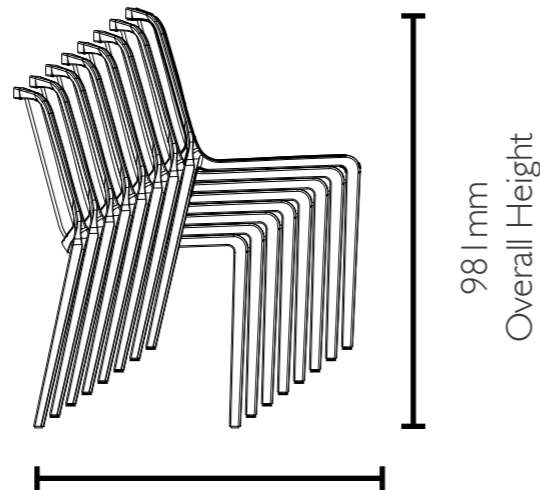
560mm
Overall Depth
Chair Weight 4.57kg



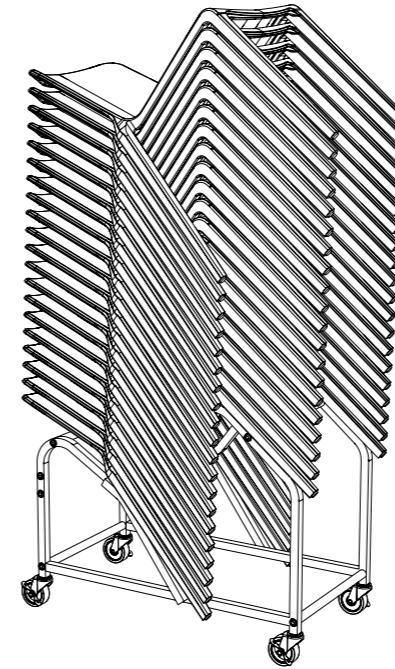
500mm
Overall Width



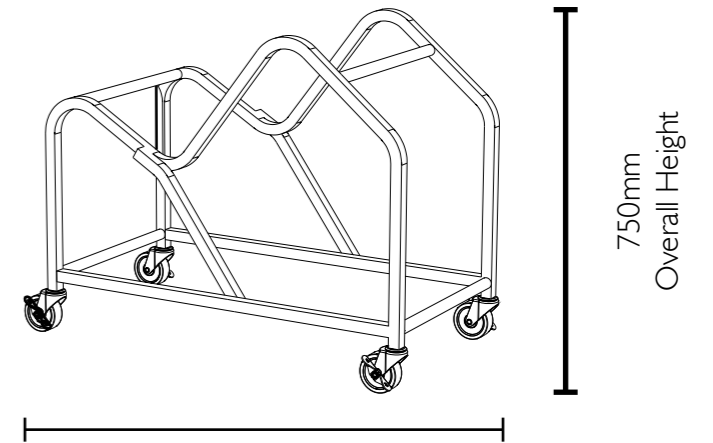
440mm
Seat Width



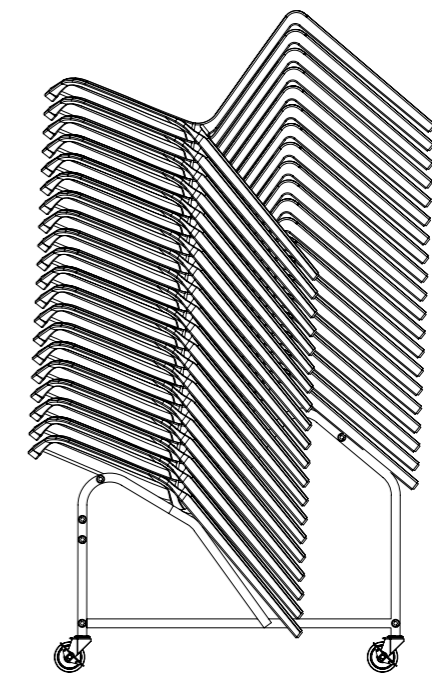
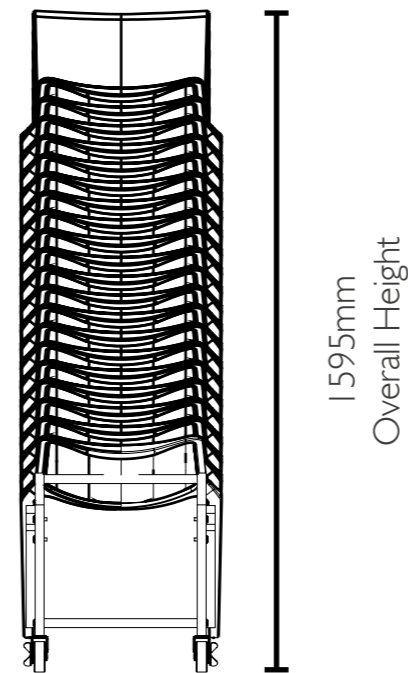
840mm
Overall Depth
Stack up to 8 standing



Dolly With Stack
Stack up to 18 on dolly



800mm
Overall Depth
Dolly 8.5kg



1050mm
Overall Depth



Stack up to 8 standing

Stack up to 18 on dolly



Features an integrated grab handle for easy manoeuvrability

Additional Information

Equipped with a built-in UV filter, making it suitable for outdoor use



Rights & Warranties

5-year warranty. Refer to our website for full details.

Environmental Information

100% Recyclable

Materials:

- 88% polypropylene
- 12% fibreglass

Packaging:

- 40 chairs per bespoke wooden pallet, banded and shrink-wrapped
- Wooden pallets – reusable and recyclable
- Shrink wrap – recyclable
- Banding – recyclable

Certification

- **Indoor Advantage Gold™ - Furniture**
This product has been independently assessed by SCS Global Services to be certified for low volatile organic compound (VOC) emissions. The Indoor Advantage Gold standard aligns with both ANSI/BIFMA M7.1 and X7.1, and CA01350.
- **BS EN 16139, Level 1**
Strength, durability and safety. (Severe contract)
- **BS EN 1729 Part 2**
Strength & stability.

Suitable for projects aiming to achieve SKA, BREEAM, WELL, LEED v4 and more.

User Weight Loading

441 pound (200kg) Weight Rating Passes our internal standard testing for 441-pound (200kg) capacity. Seat Weight Rating refers to a seat's functional weight rating based on testing conducted by and within an Accredited Test Lab.

Design Resources

For the latest images, CAD blocks, finishes, case studies and more - please contact us.

Care & Maintenance Instructions

- To clean poly shells, use a soft cloth, mild soap detergent and lukewarm water. Avoid solvents, citrus/orange-based cleaners or heavy-duty kitchen cleaners.
- Stubborn spots like chewing gum can be removed with cigarette lighted fluid. Wipe dry immediately.
- For light cleaning and restoring lustre to smooth surfaces, use a non-abrasive all-purpose cleaner with anti-static properties.
- High-quality wax can be used to restore lustre and protect the finish.

Packaging & Shipping

Product	Units per pallet	Pallet weight*	Pallet dimensions* (mm, LxWxH)
Hatton	40	206kg	1000 x 1200 x 1660

* All Weights and dimensions are approximate.