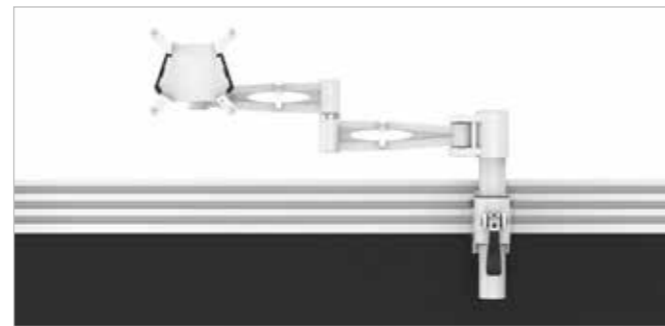


Kardo

Pole-mounted monitor arms

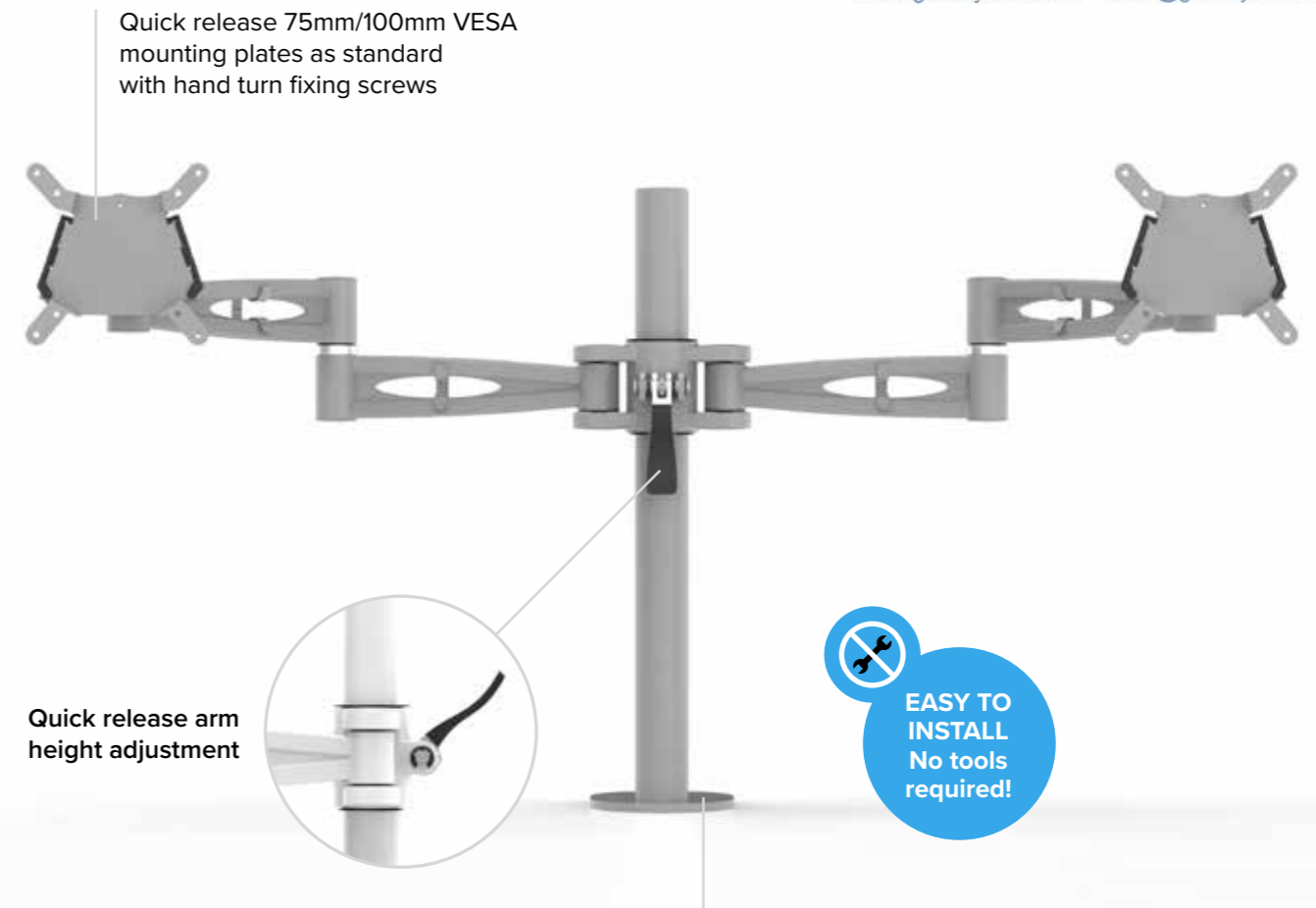


The Kardo fixed pole monitor arm is popular worldwide due to its appealing aesthetic and easy install design features.

We launched our first pole-mounted monitor arm in 2013 to help office workers avoid the risks associated with display screen equipment and save valuable desk space. Our Kardo range has proved very popular and now includes arms for single, twin and quad screen setups.

Materials

- Metal**
- Black (BK)
- White (WH)
- Grey (SV)



FIRA Certified to:
BS EN ISO 9241 Workplace Ergonomics
PP 045 Safety and Durability

Includes pre-assembled clamp plus through-desk fixing option



Integrated cable management keeps your workspace clear



VESA plates slide onto Kardo arm with fixing clips to hold screen in place



Hand-turn desk edge clamp and through-desk fixing included



Brighten your workspace with an integrated flower holder in the pole

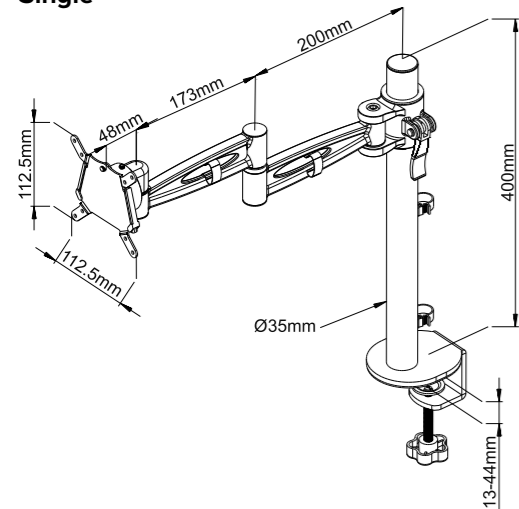
Technical details

- VESA quick-release mounting plates 75mm and 100mm
- Pre-assembled hand-turn desk edge clamp and through desk fixing included (PMA521, PMA522, PMA523, PMA524)
- Low profile mini-clamp option
- Tool rail mounted arm option for single screen/monitor
- Inverted single arm option to convert single to twin
- Powder-coated steel, available in Black, Grey or White
- Certified to: BS EN ISO 9241 Workplace Ergonomics, PP 045 Safety & Durability

Single Arm

- H400mm pole
- 12.5kg screen/monitor weight capacity
- 32" screen/monitor size capacity

Single



Dual/Twin Arm

- H400mm pole
- 20kg (2 x 10kg) screen/monitor weight capacity
- 2 x 27" screen/monitor size capacity

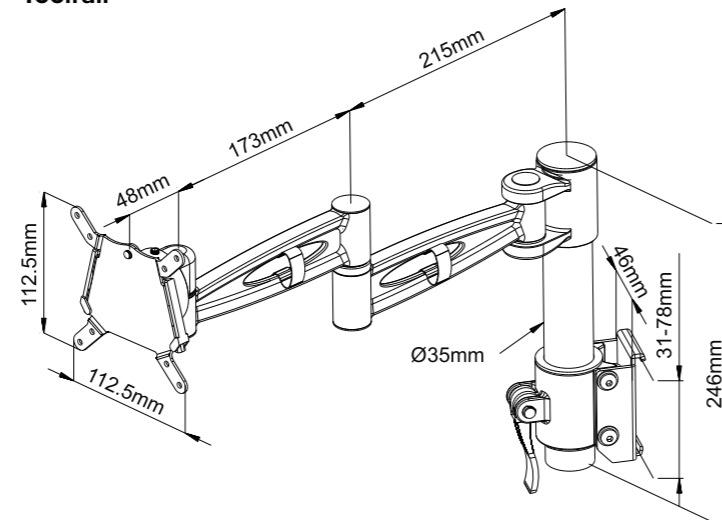
Triple Arm

- H700mm pole
- 30kg (3 x 10kg) screen/monitor weight capacity
- 3 x 27" screen/monitor size capacity

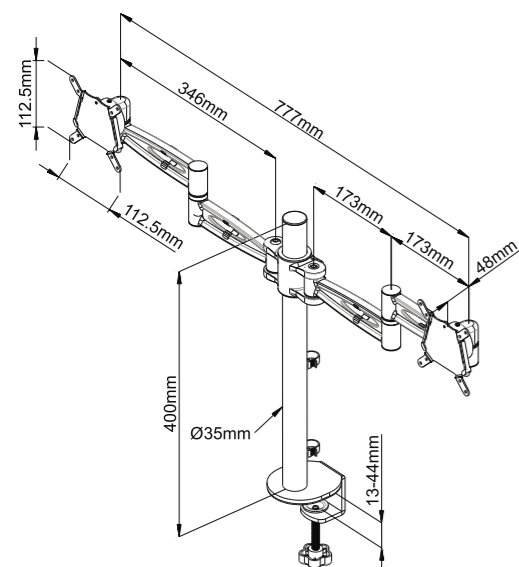
Quad Arm

- H700mm pole
- 32kg (4 x 8kg) screen/monitor weight capacity
- 4 x 27" screen/monitor size capacity

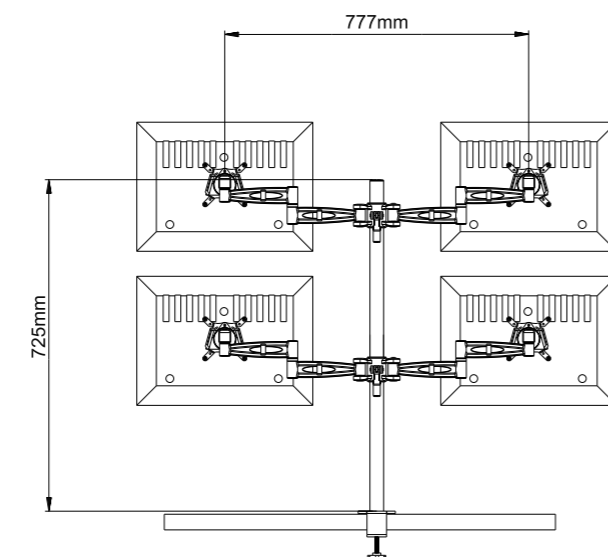
Toolrail



Dual/Twin



Quad



	CODE	DESCRIPTION	CAPACITY
	PMA521	Pole mounted monitor arm for single (1) screen	12.5kg
	PMA522	Pole mounted monitor arm for dual/twin (2) screens	2 x 10kg
	PMA523	Pole mounted monitor arm for triple (3) screens	3 x 10kg
	PMA524	Pole mounted monitor arm for quad (4) screens	4 x 8kg
	PMSA521	Tool rail pole mounted monitor arm for single screen	6kg
	PMAOI-521	Inverted single arm only - to convert single to dual/twin <i>Pole and clamp not included</i>	12.5kg
	NBT101	Quick-release universal laptop holder attachment	10kg
	EP550	550mm high pole only <i>Clamp not included</i>	-
	EP700	700mm high pole only <i>Clamp not included</i>	-
	KMC1827	Low profile mini clamp	-