

Introducing Monto.



OVERVIEW

- Easily converts a fixed height workstation to sit-stand functionality
- Quick and simple lever-operated height adjustment with 9 height positions
- Lightweight and slimline - easy to carry and store
- Can be used in conjunction with CBS dynamic monitor arms and dedicated 'extended' desk mounts
- Elegant design and finish fits any workspace

CODE	DESCRIPTION	COLOUR	WEIGHT
MON/001/B01	Monto Sit Stand Riser - Black Platform	Silver Legs:/S	7.5kg / 16.5lb





EFFORTLESSLY TRANSFORMS ANY FIXED DESK INTO A HEIGHT ADJUSTABLE WORKSTATION



EASY TO ADJUST



ERGONOMIC EXCELLENCE

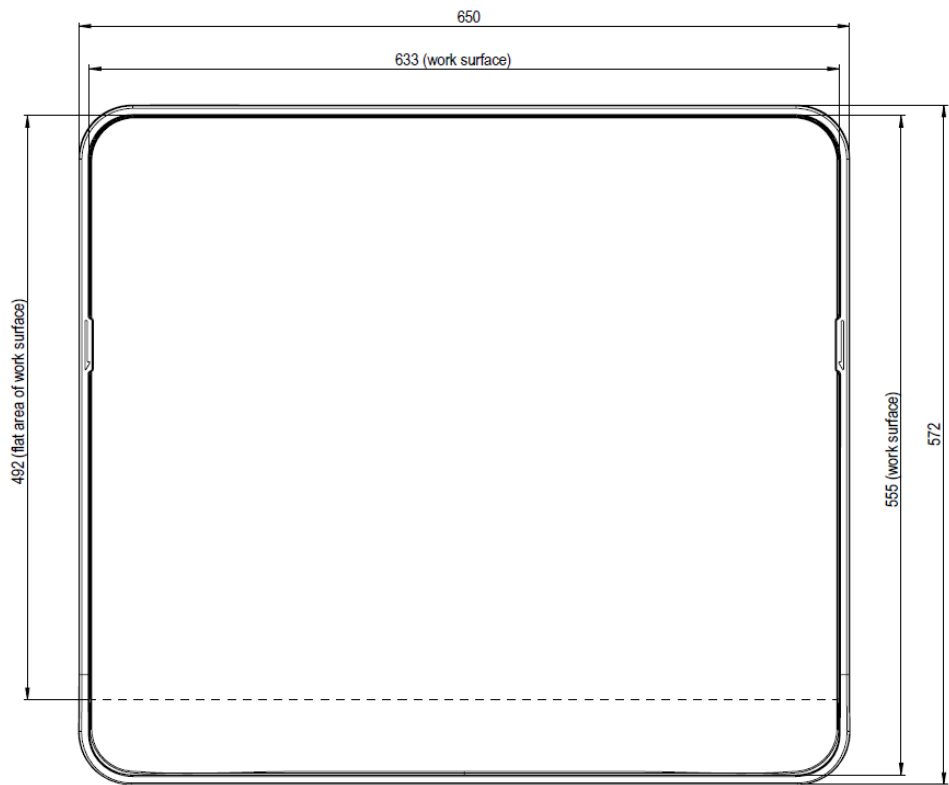


LIGHTWEIGHT & EASY TO CARRY

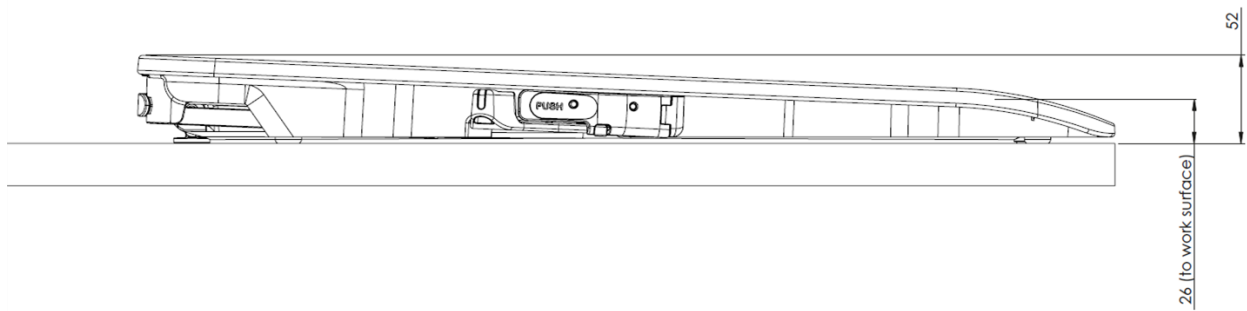


CAN BE USED IN CONJUNCTION WITH A LAPTOP SUPPORT OR CBS DYNAMIC MONITOR ARM

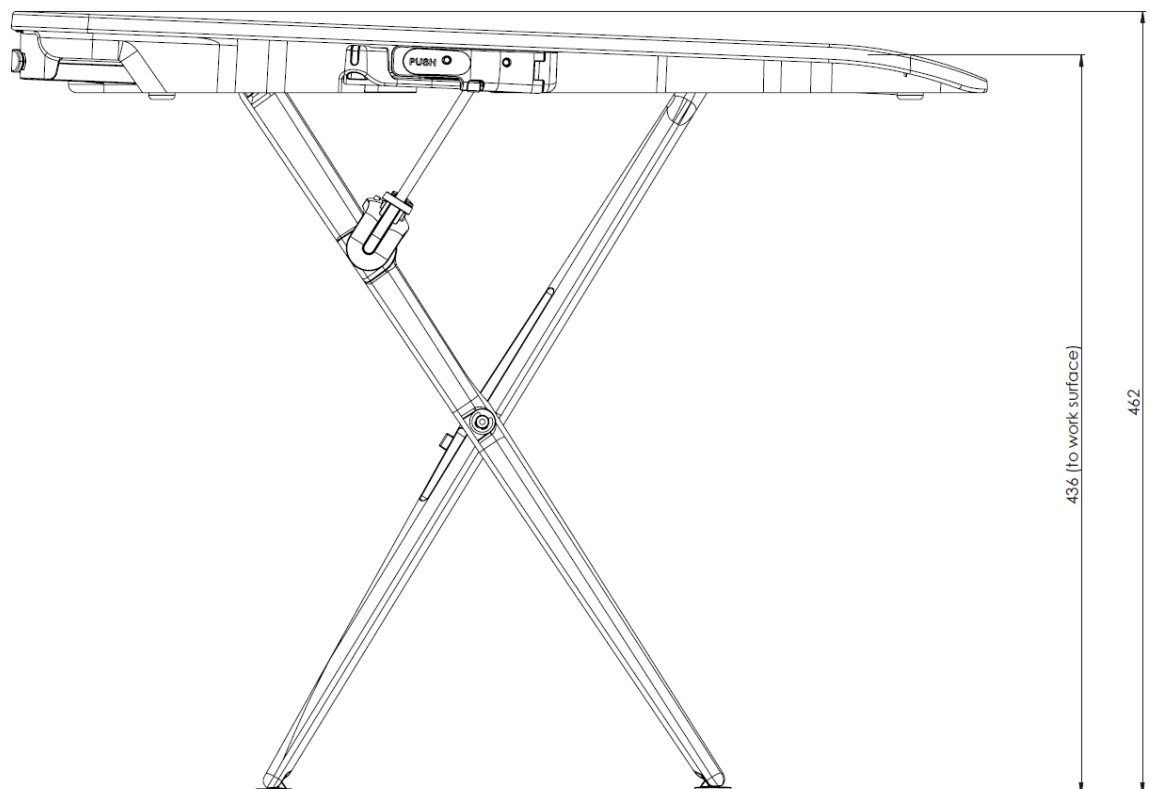
Work Surface Dimensions
Dimensions are in mm



Minimum Height Position



Maximum Height Position



Dimensions are in mm

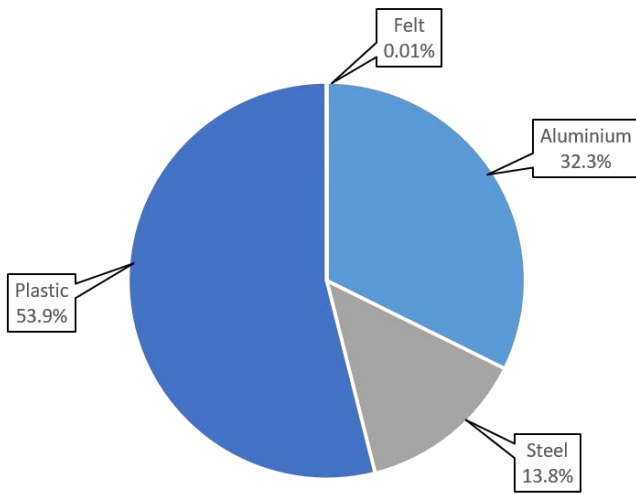
ENVIRONMENTAL

Material Make-up			Total Recycled Content	Breakdown of Recycled Content		Total Recyclable	
Overall Product			Overall Product	Overall Product		Overall Product	
Material type	Total Material type weight (g)	Percentage of Total Product Weight (%)	Material-Type Recycled Content (%)	Percentage PIR of total weight (%)	Percentage PCR of total weight (%)	Total Product Recyclable (g)	Total Product Recyclable (%)
Aluminium	2440.0	32.3%	30.7%	16.3%	14.4%	2440.0	32.3%
Steel	1039.0	13.8%	1.8%	0.3%	1.5%	1039.0	13.8%
Plastic	4070.0	53.9%	0.0%	0.0%	0.0%	4047.7	53.6%
Felt	1.0	0.01%	0.0%	0.0%	0.0%	0.0	0.00%
Total	7550.0	100.0%	32.5%	16.6%	15.9%	7526.7	99.7%

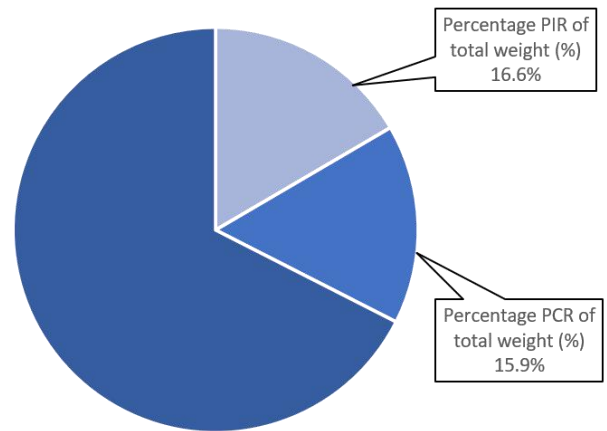
Due to calculation rounding there may be some small variations in displayed percentage totals.

PIR = Post Industrial Recycled

PCR = Post Consumer Recycled



Total Product Weight (%)



Total Product Recycled Content (%)

Product packaging is 100% plastic-free.

Height Range:	26mm min to 436mm max (to work surface)
Product Weight:	7.55kg
Maximum Supported Load:	7kg
Recycled Material Content:	32.5%
Total Product Recyclable:	99%
Product Packaging:	100% plastic-free

WARRANTY

Warranty Term 5 years

CLEANING, STORAGE & MAINTENANCE

Routine servicing	Periodic inspection
Service components	Available to order
Cleaning & Maintenance	Damp cloth, no abrasives, no solvents to be used on the cosmetic surfaces
Handling & Storage	Do not drop or expose to moisture