



TECHNICAL SPECIFICATION SHEET

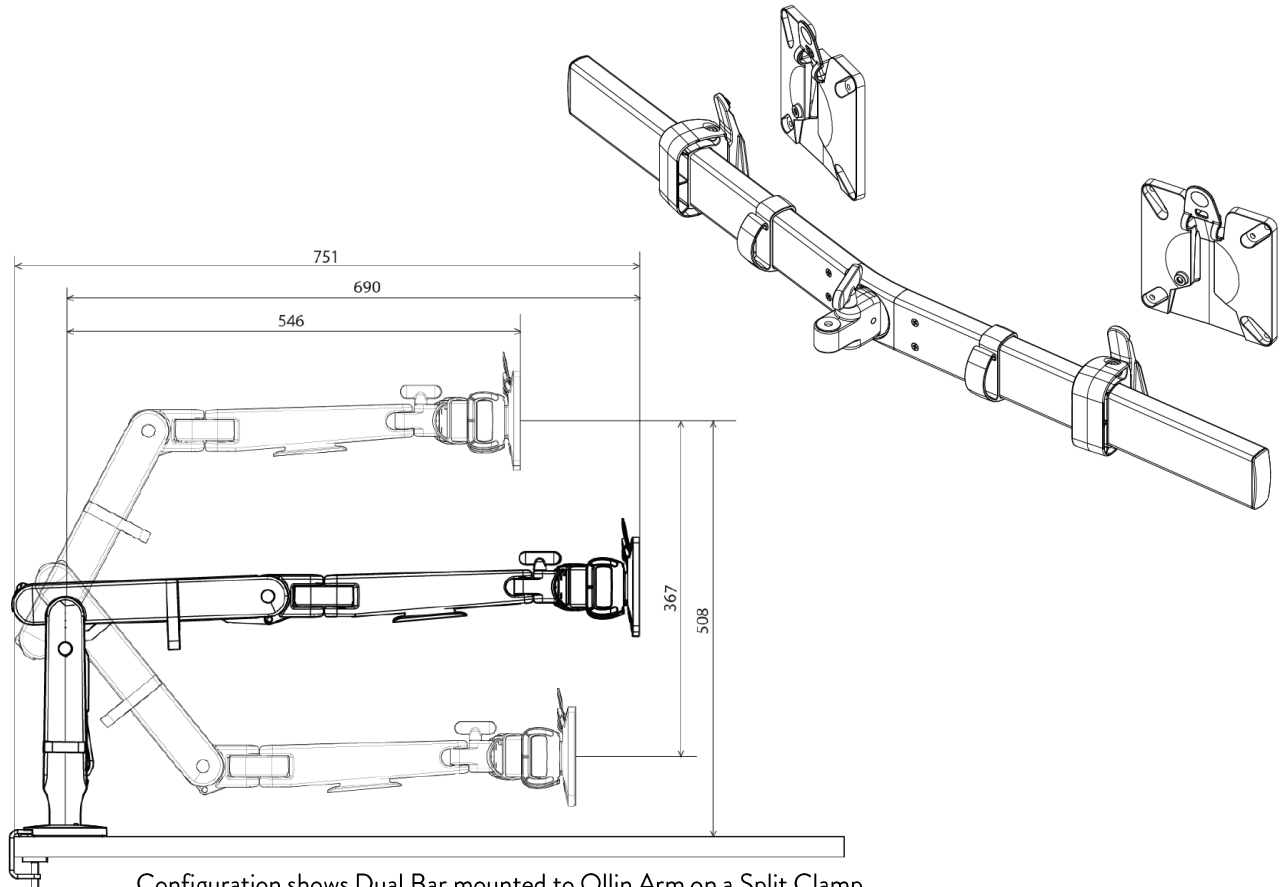
PRODUCT NAME: Ollin Dual Mount Bar

PRODUCT CODE: OLN/DMB/001

Doc Rev 1.

Product Rev #A

05.10.2017 KO



Configuration shows Dual Bar mounted to Ollin Arm on a Split Clamp

*Note dimensions are in mm

KEY SPECIFICATIONS

Product Classification:	Monitor Arm
Monitor Size Range:	17" to 27" (Max monitor width approx. 610mm.)
Mounted Load Range:	0kg to 8kg total. (0lbs to 18lbs.) i.e. max 4kg (9lbs) <u>per monitor</u>
Horizontal Reach:	751mm
Vertical Reach:	508mm
Vertical Motion Range:	367mm
Tilt Range:	+25° / -1°
Recycled content:	71.4%
Total product recyclable:	95.9%

KEY FEATURES

- Fits quickly and easily to the Ollin monitor arm (as a direct replacement for the standard VESA tilt head.)
- Supports 0kg to 8kg load range (i.e. up to 4kg per monitor.)
- Mounts monitor sizes from 17" to 27".
- Integrated cable management features guide cables along the bar to the cable management of the monitor arm.
- Tilt adjustment of monitors via a central adjuster knob. Note that the dual bar & monitors tilt as a single unit, i.e. the monitors do not tilt individually, avoiding the inconvenience of accidental angle misalignment between the screens.)
- Fine height adjuster features permit accurate height alignment of adjacent monitors.
- Central pivot feature permits horizontal levelling of the complete dual bar.
- Can be configured with 'cockpit' monitor formation or 'flat' monitor formation.
- Futureproof: Easy to upgrade existing Ollin installation from single to dual screen. Equally easy to revert from dual back to single if future needs change.

LOGISTICAL

Box contains:	Ollin Dual Mount Bar, 2 x VESA mount plates & VESA fixing screws, 1 x bar mounting screw.
Net product weight:	1.2kg
Product box gross weight:	1.84kg
Product box dimensions:	745mm x 150mm x 255mm
Carton quantity:	6 pcs
Carton gross weight:	12.3kg
Carton dimensions:	756mm x 470mm x 260mm
Pallet quantity:	48 pcs (8 cartons)
Pallet weight:	109kg
Country of origin	China
Country of configuration	UK

ORDERING INFORMATION

<u>Product Description</u>	<u>Product code</u>	<u>Colour</u>
Ollin Dual Mount Bar	OLN/DMB/001	/B: Black

WARRANTY

Warranty Term Limited lifetime

COMPLIANCE & SAFETY CERTIFICATION

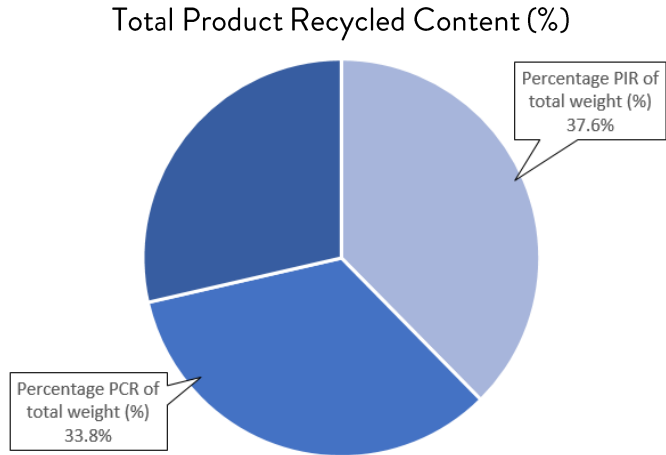
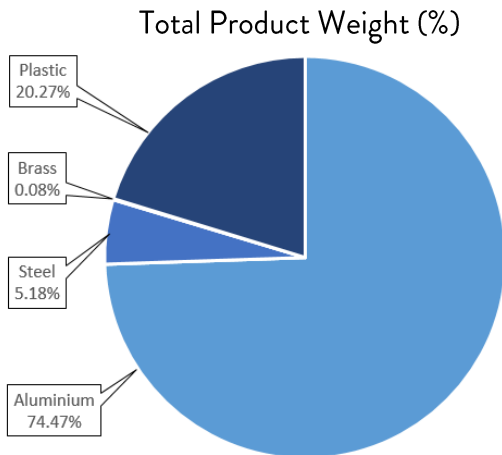
Whilst no mandatory standards apply to the monitor arm product sector, all Colebrook Bosson Saunders monitor arms have been designed with appropriate articulation features, dimensional range and adjustability to conform to the requirements of BS EN ISO 9241:5 1999 Ergonomic requirements for office work with visual display terminals (VDTs).

Conformance certification N/A
Test authority CBS
Safety certification N/A

ENVIRONMENTAL

Material Make-up			Total Recycled Content	Breakdown of Recycled Content		Total Recyclable	
Overall Product			Overall Product			Overall Product	
Material type	Total Material type weight (g)	Percentage of Total Product Weight (%)	Material-Type Recycled Content (%)	Percentage PIR of total weight (%)	Percentage PCR of total weight (%)	Total Product Recyclable (g)	Total Product Recyclable (%)
Aluminium	891.0	74.47%	70.7%	37.5%	33.2%	853.0	71.3%
Steel	62.0	5.18%	0.7%	0.1%	0.6%	56.0	4.7%
Brass	1.0	0.08%	0.0%	0.0%	0.0%	1.0	0.1%
Plastic	242.5	20.27%	0.0%	0.0%	0.0%	237.5	19.8%
Total	1196.5	100.0%	71.4%	37.6%	33.8%	1147.5	95.9%

PIR = Post Industrial Recycled
 PCR = Post Consumer Recycled



CLEANING, STORAGE & MAINTENANCE

Routine servicing	Periodic inspection
Service components	Available to order
Cleaning & Maintenance	Damp cloth, no abrasives, no solvents to be used on the cosmetic surfaces
Handling & Storage	Do not drop or expose to moisture

While every effort is made to ensure the accuracy of our technical information, Colebrook Bosson Saunders (Products) Ltd accept no liability for the accuracy of the information contained in this document and reserve the right to modify the specifications or data contained herein without prior notification.