

standard specification open & part enclosed outdoor pods



Composite deck board lining- Eco-friendly deck board linings that are made out of composite & combined with 100% recycled plastic- extremely hard wearing and very gentle on the environment.



Iroko Wood Trim- This wood is tough, dense, and very durable.



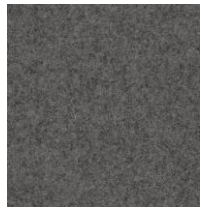
Shells- Constructed from white recycled resin, typically 1800 bottle tops makes up a 4 person pod. Our choice for white stems from its resistance to discolouring.

standard specification

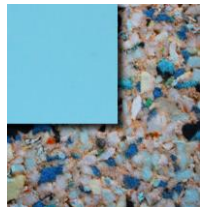
fully enclosed outdoor pods



Bolster Foam Interior- Dartmouth Blazer Camira. 100% virgin wool, heavy duty and supplied with a manufactures 10 year guarantee. Flat acoustic foam wrapped in fabric is designed to control the acoustics and reverberations within the pod, with a sleek finish. Perfect for high traffic environments.



Seat Material- Aberlour Blazer Camira. 100% virgin wool, heavy duty and supplied with a manufactures 10 year guarantee.



Seat Foam- 3", 6lb reconstituted foam with 1" blue topper. All foam materials comply BS 5852 flammability performance requirements and cigarette/ match ignite test.

Shells- Constructed from white recycled resin, typically 1800 bottle tops makes up a 4 person pod. Our choice for white stems from its resistance to discolouring.



bespoke options

External options (open, part & fully enclosed):

- Change in pod shell colour to any RAL chart colour
- Vinyl wrapping
- Biophilic wrapping
- Wood cladding

Deck board options (open, part & fully enclosed):

- Premier Brown
- Premier Mocha
- Premier Charcoal
- Premier Silver

Bolstered foam fabric options (Camira) (fully enclosed only):

- Era Range
- Blazer Range
- Xtreme Range
- Synergy Range
- Gravity Range
- Advantage range
- Vita Range



power options



● premium pendant lighting

Tala pendant lighting system with filament lamps made of mouth blown glass, achieves 540 lumens.



● solar power

12v solar panel available with open and part enclosed pods. 2 x USB charging ports fit within seat base.



● standard lighting

Infrared sensor switch. LED cable lighting with adjustable spotlight heads, using 85% less energy and lasting up to 20 times longer than incandescent bulbs.



● mains power connection

1 x double power point with 2 x USB connectors is fitted to the back panel (or into the seat base if no back panel is selected)- 2m connection lead with 16amp plug.



● tech pack

Option for pods with power connection and fitted back panel. Screen hanging arm, additional single power point at screen hanging level, HDMI connector and Ethernet to accommodate screen hanging with pod.



● warranty

A five year warranty is supplied on the composite structure of the meeting pods covering normal use for the purposes of meetings. In addition the benefit of any manufacturers' warranty given by a third party supplier of Goods will be assigned to the Buyer. No liability will be accepted for any defect arising from fair wear and tear, wilful damage, negligence, misuse, alteration or repair without the Seller's approval in writing.

dimensions & weights

open ring outdoor pods

2 person outdoor pod

L750mm x W2500mm x H2100mm

Structure, decking board fit out & seating= 50kg

Table & leg= 16kg

Solar panel & lights= 11kg

Flooring= 19kg



6 person outdoor pod

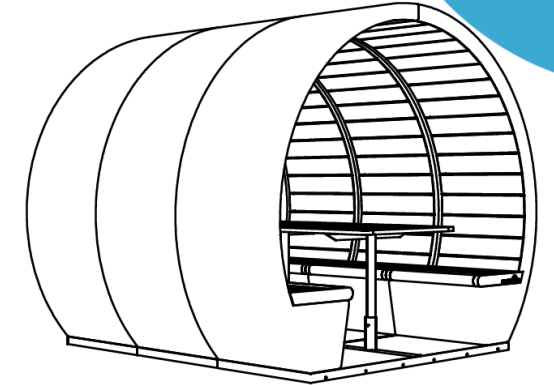
L2250mm x W2500mm x H2100mm

Structure, decking board fit out & seating= 150kg

Table & leg= 48kg

Solar panel & lights= 11kg

Flooring= 56kg



4 person outdoor pod

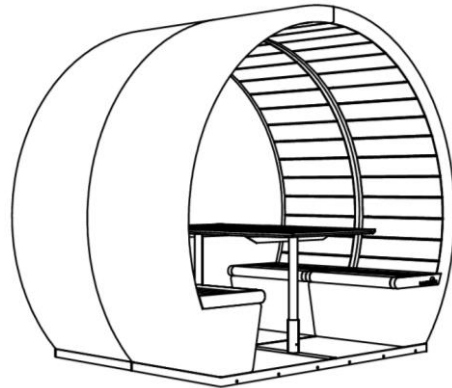
L1500mm x W2500mm x H2100mm

Structure, decking board fit out & seating= 100kg

Table & leg= 32kg

Solar panel & lights= 11kg

Flooring= 37kg



8 person outdoor pod

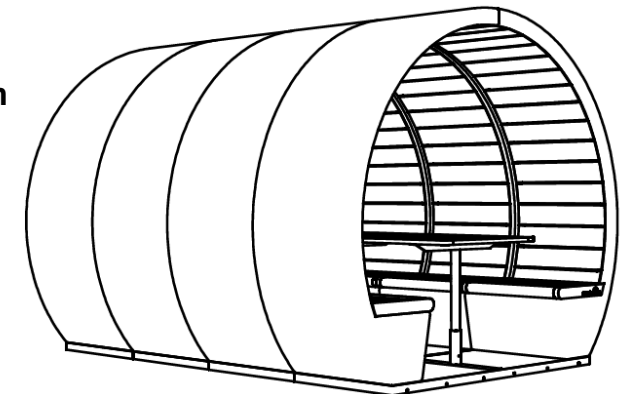
L3000mm x W2500mm x H2100mm

Structure, decking board fit out & seating= 200kg

Table & leg= 64kg

Solar panel & lights= 11kg

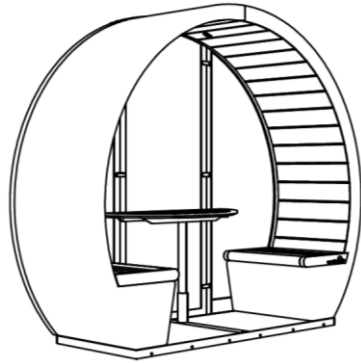
Flooring= 74kg



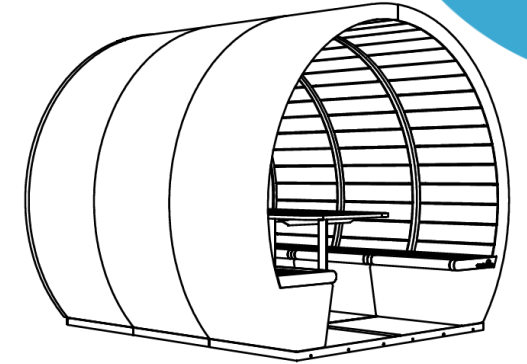
dimensions & weights

part enclosed outdoor pods

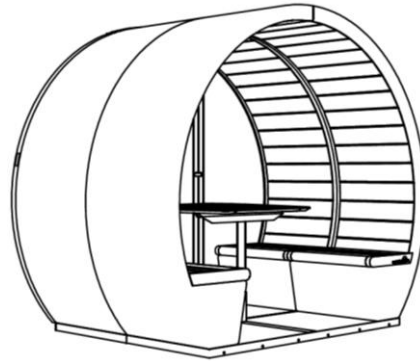
2 person outdoor pod
L750mm x W2500mm x H2100mm
Structure, decking board fit out & seating= 50kg
Rear glass enclosure= 108kg
Table & leg= 16kg
Solar panel & lights= 11kg
Flooring= 19kg



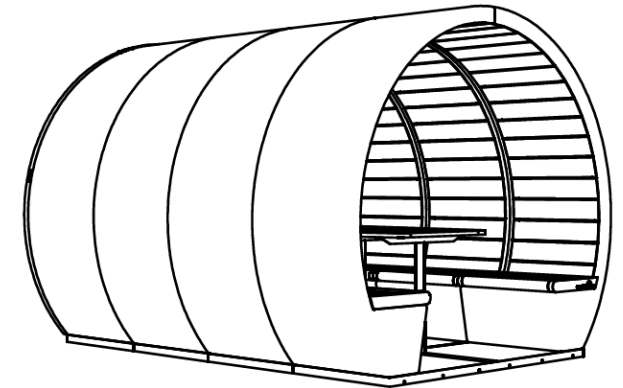
6 person outdoor pod
L2250mm x W2500mm x H2100mm
Structure, decking board fit out & seating= 150kg
Rear glass enclosure= 108kg
Table & leg= 48kg
Solar panel & lights= 11kg
Flooring= 56kg



4 person outdoor pod
L1500mm x W2500mm x H2100mm
Structure, decking board fit out & seating= 100kg
Rear glass enclosure= 108kg
Table & leg= 32kg
Solar panel & lights= 11kg
Flooring= 37kg



8 person outdoor pod
L3000mm x W2500mm x H2100mm
Structure, decking board fit out & seating= 200kg
Rear glass enclosure= 108kg
Table & leg= 64kg
Solar panel & lights= 11kg
Flooring= 74kg



dimensions & weights

fully enclosed outdoor pods

2 person outdoor pod

L750mm x W2500mm x H2100mm

Structure, bolstered foam fit out & seating= 80kg

Front & rear glass enclosure= 120kg

Table & leg= 16kg

Enclosed lighting= 2kg

Flooring= 19kg



6 person outdoor pod

L2250mm x W2500mm x H2100mm

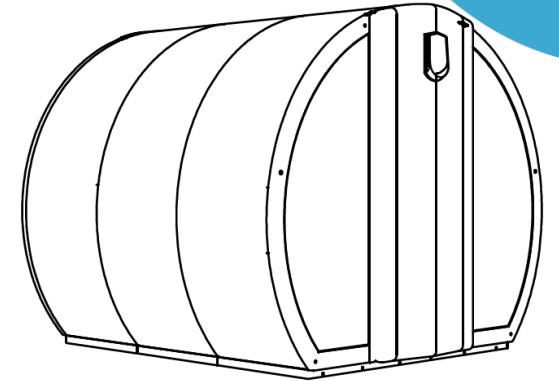
Structure, bolstered foam fit out & seating= 240kg

Front & rear glass enclosure= 120kg

Table & leg= 48kg

Enclosed lighting= 2kg

Flooring= 56kg



4 person outdoor pod

L1500mm x W2500mm x H2100mm

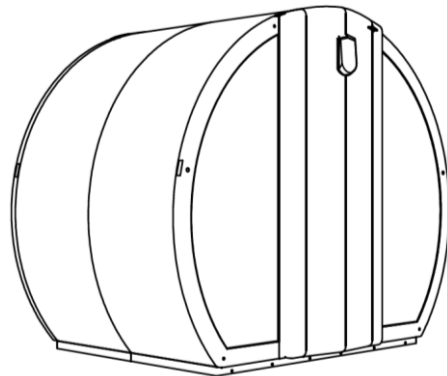
Structure, bolstered foam fit out & seating= 160kg

Front & rear glass enclosure= 120kg

Table & leg= 32kg

Enclosed lighting= 2kg

Flooring= 37kg



8 person outdoor pod

L3000mm x W2500mm x H2100mm

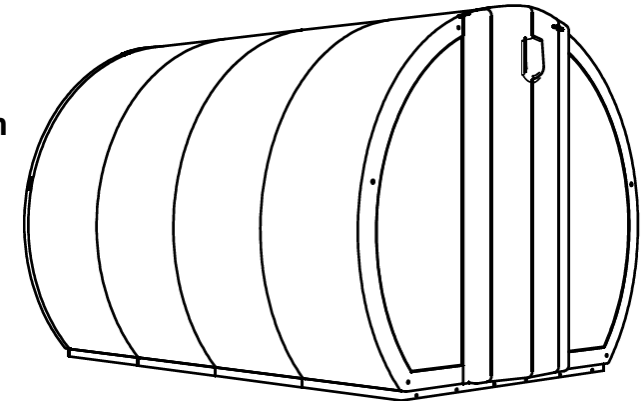
Structure, bolstered foam fit out & seating= 320kg

Front & rear glass enclosure= 120kg

Table & leg= 64kg

Enclosed lighting= 2kg

Flooring= 74kg



accessory options



Glass Back Panel- Double-glazed wings with solid central core back panel or, 3 part double-glazed back panel



Full Glass Front Enclosure- Double-glazed wings with composite double-glazed door



Air Ventilation- For outdoor pods with panels and full glass enclosures an air system is fitted which is operated from light switch. Standard air flow system silent running extractor fan will exchange up to 95m³ of air per hour.



Heating- Wall-mounted ceramic heater with remote control, LED display and 2 Heat Settings Including Cool Blow. Mounted onto back panel central core underneath table.



Heating & Air Cooling Combo- Adjust your individual feel-good temperature thanks to the automatic heating/cooling functions. Cooling power: 2400 W, Heating power: 1700 W.

installation information

installation hours



open ring pods- up to 2 hours



part enclosed pods- up to 4 hours



fully enclosed pods- up to 6 hours

installation requirements

- Local parking
- Access information to installation site
- Completion of pre-installation questionnaire
- Confirmation if site induction required



remarkable design

Our in-house design team work to achieve design that deliver statement pieces in any workplace or home environment combined with a functionality that makes our products a joy to work from

exceptional quality

Our production team recognise quality sits alongside consistency, so we must be proud of every product that is manufactured by us

sustainability

From design, engineering, material sourcing, transportation and support, all aspects of our manufacturing continuously evolve to minimize negative environmental impact. Our 4 person Meeting/Outdoor Pod shell's composite resin has been sourced from a recycled material that is made up from 1800 plastic bottle tops

