



outdoor orb pod

Our outdoor orb pods make use of under-utilised outside space, providing a year-round place to meet up, take lunch or simply chill out. With sizes from 4 to 6 persons, be ready to change your working environment forever



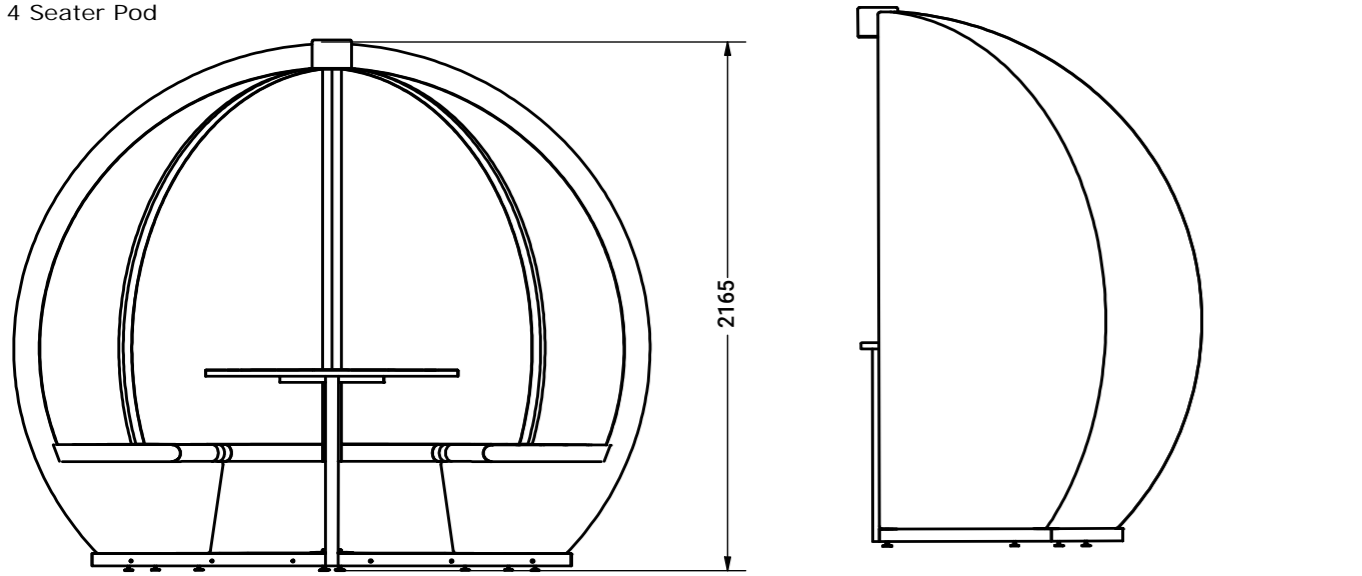
● 4 Person outdoor orb pod



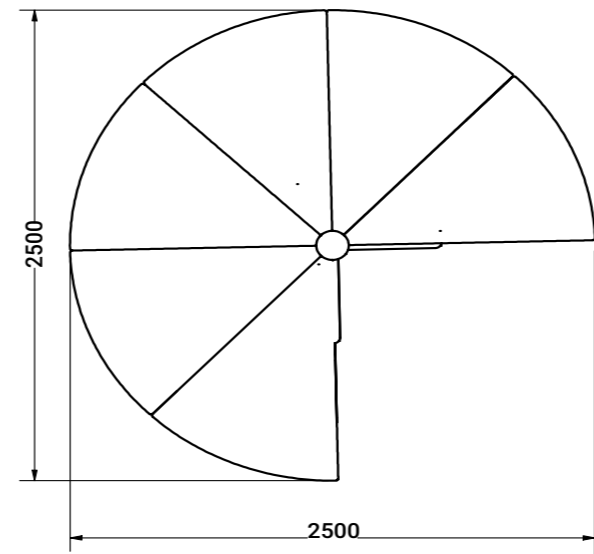
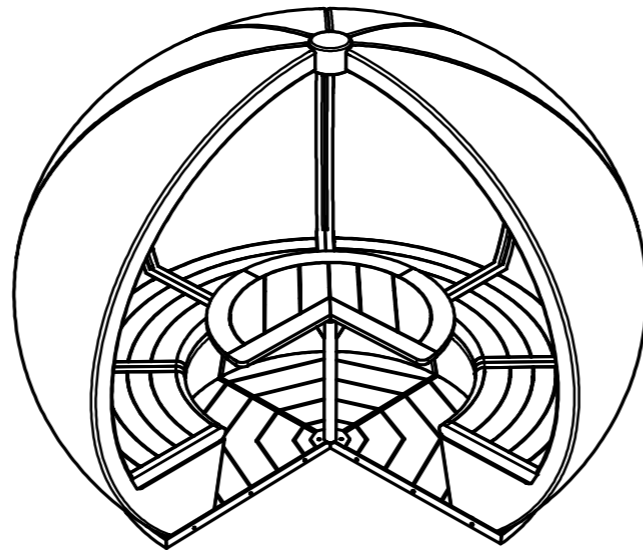
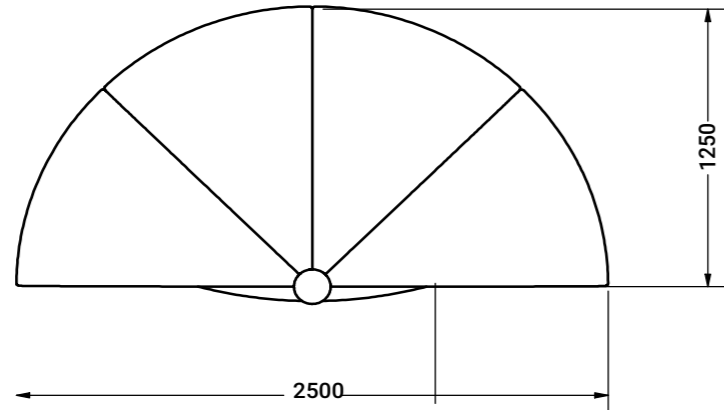
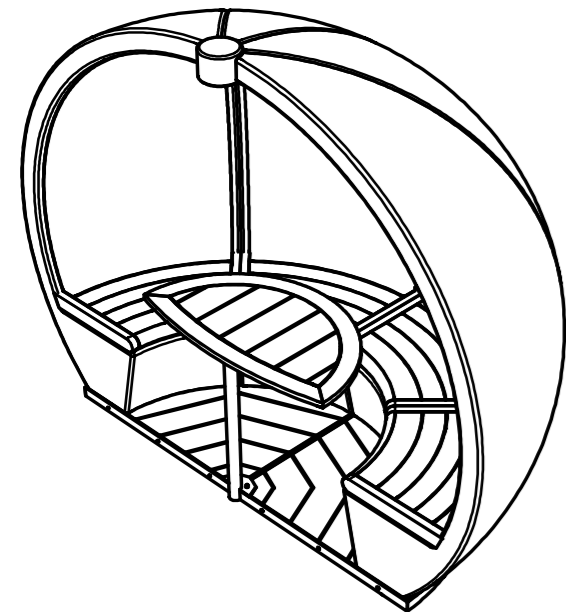
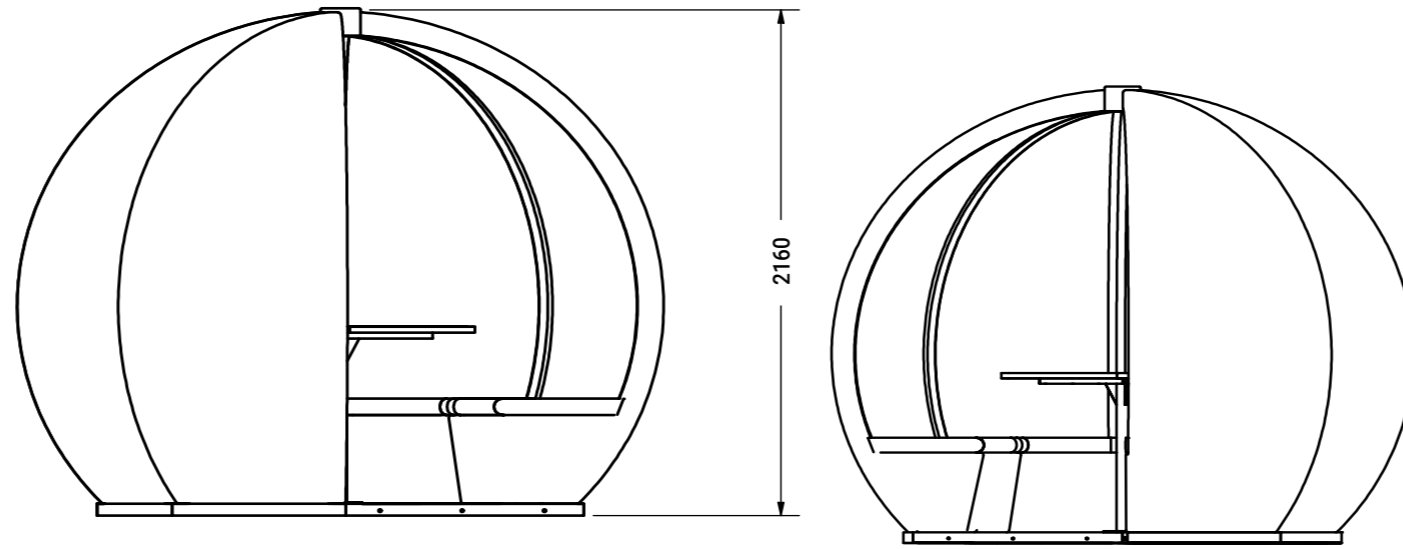
● 6 Person outdoor orb pod

DIMENSIONS

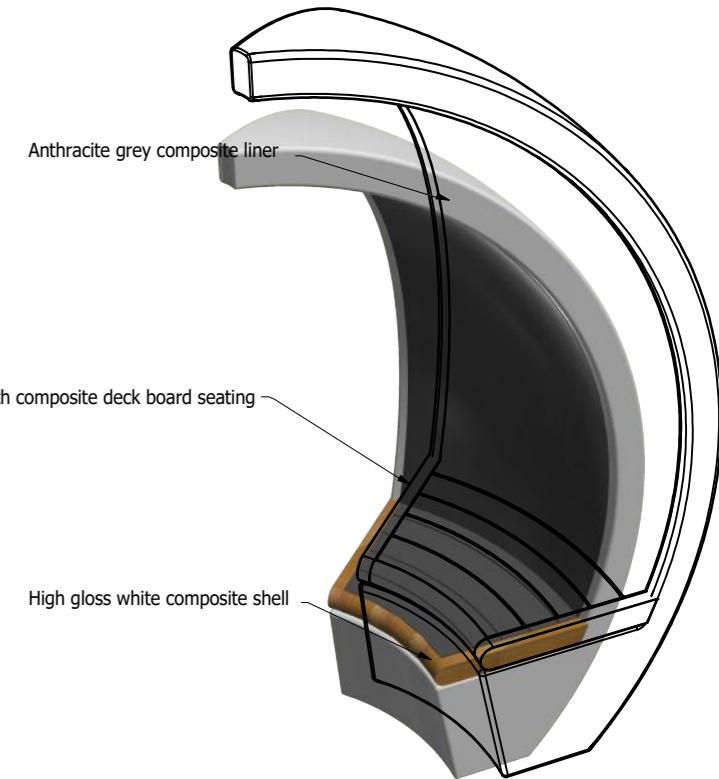
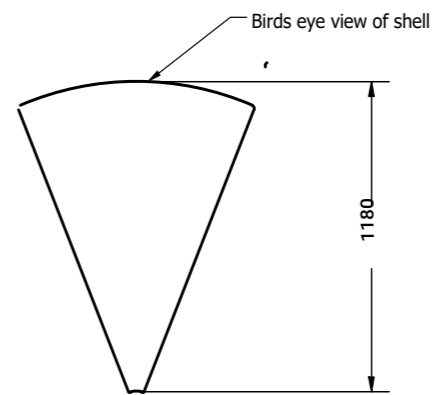
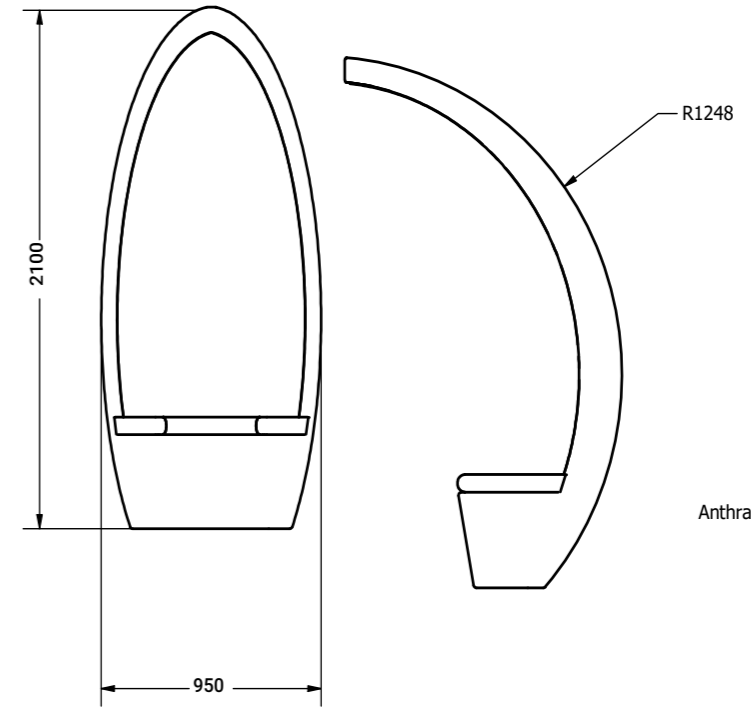
4 Seater Pod



6 Seater Pod



SHELL SECTION SPECIFICATION



Shell weight 28kg

SOLAR PANEL SPECIFICATION

Solar Panel Specifications

Peak power: 80W
Maximum power voltage: 20.2V
Maximum power current: 3.96A
Open circuit voltage: 23.9V
Short circuit current: 4.20A
Power allowance range: +/- 5%
Solar Panel Dimensions: 1365 x 350 x 4 mm
Junction Box Dimensions: 90 x 16 x 16 mm
Weight: 3.05 kg
2 x 1m of high quality single core solar cable (4mm² cross section) Male and female MC4 connectors

12V Battery Specification

Nominal voltage: 12V
Nominal capacity: 100Ah (10h rate) / 105Ah (20h rate)
Maximum charging current: 25A
Self-discharging rate: <3% per month
Cycle lifetime at 30% D.O.D.: 1000-1100
Pressure control: safety valve installed
Terminal type: F13 (bolts and washers included)
Operating temperature: from +10C to +40C
Size: 331 x 173 x 217 mm
Weight: 30.0 kg

Solar Controller

Fully automated operation and auto 12/24V selection 3 pairs of terminals (solar panel, battery, load) for wires up to 16mm²
Maximum solar panel voltage: 100V
Maximum solar panel power: 390W (12V) / 780W (24V)
Temperature sensor for automatic compensation (-3mV/°C/2V)
Comprehensive electronic protection features
Communication port: RS485/RJ45 interface
Grounding: negative common ground
Current limiting function: (30A)
Self-consumption: <12mA
Working temperature: -25°C to +50°C
Size: 22.8 x 16.4 x 5.5 cm
Mounting dimension: 17 x 16.4 cm
Weight: 1.26kg
Multiple mounting holes (5mm diameter) for ease of installation

Dusk Till Dusk Sensor

Colour: white
Operating voltage: 12v
Location: top of light housing

Led Light

Voltage: 12V
Colour: 4500
Lumens: 600
Beam angle: 120
Finish colour: Black
IP Rating: 65

USB Charging

Universal fit for any USB Type-A connector.
Charge up to 2 devices at a time.
Easy Install
Click & Lock Lid
Output current: 4.2A (total)
IPX6 waterproof with the cover closed.
Up to 3x faster than standard USB sockets.
Waterproof with 1, 2 and even no cables plugged in.
Anti-corrosion coating on circuit board.
UV resistant.
316 stainless hinge and spring.
Ultra low profile: only 29mm high, 94mm long.
Anti-sag cover aligns cables when closed.
Standard barrel size also fits existing USB sockets.

