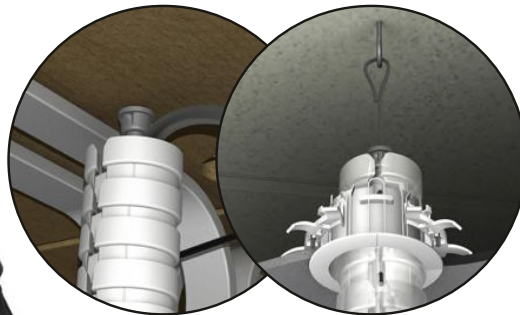


pathfinder

Complete floor to desk, floor to ceiling, or ceiling to desk, vertical cable management solution

Umbilical

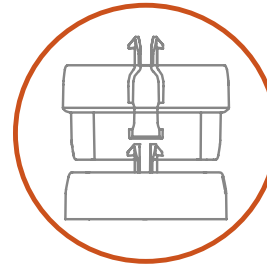
PATHFINDER Top Fix can be: screwed to the underside of a desk top or meeting table; snapped into a 25mm hole in steel/plastic panels (such as PATHWAY ADAPTOR); or, (with integrated wire gripper), used to tension a ceiling hung umbilical



PATHFINDER segment jaws are designed to allow cables to be 'wiped in', or removed easily at any time



Optional stainless steel cord provides protection for cables from undue tension



PATHFINDER can be extended on-site, to suit different applications, with a simple "PUSH & CLICK"

Zipper

Inserting cables making you mad? ...we've made it as easy as 1, 2, 3



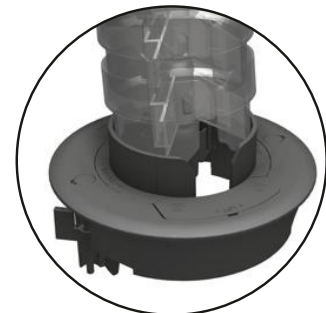
PATHFINDER has twin, asymmetric, segregated compartments, each capable of accepting power and data cables, as well as 16mm, 20mm and 25mm flexible conduits

Enclosed segments provide improved aesthetics over 'open segment' umbilicals

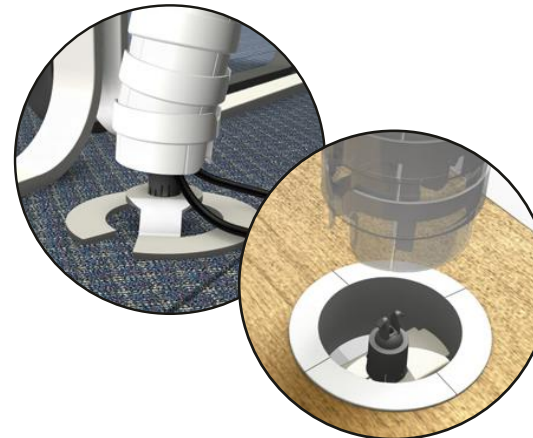


Where a RIGID umbilical-column is required, support rods can be used to limit, or even prevent flexing. This feature also allows users to be creative in the design of Pathfinder routing

PATHFINDER bottom fixing can be: screwed to any suitable surface; used with the Pathfinder Weighted Base; or, clipped into the PATHFINDER Desk Flange for ceiling hung applications



When used with our UNIQUE Floor Grommet, PATHFINDER allows **TOTAL CABLE PROTECTION**, unequalled by any other umbilical containment system



1



2



3





White



Silver



Black



Graphite Grey



Light Grey



White



Silver



Clear



Black

Colours

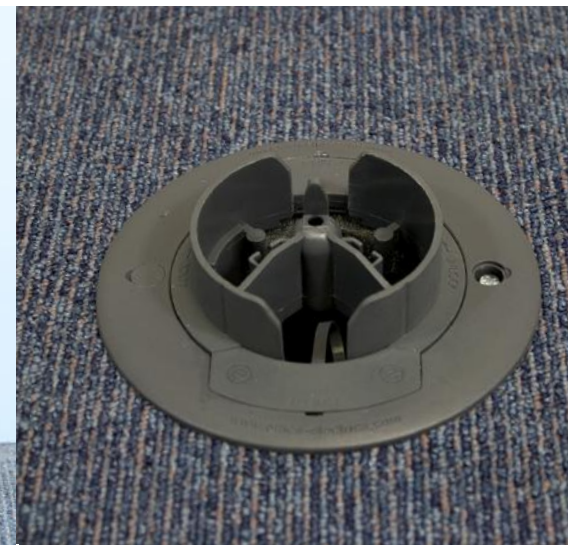
Available in four standard colours (right). Custom colours (left) are also available on request.



8 Standard colours available for Pathfinder segments (other colours available on request)



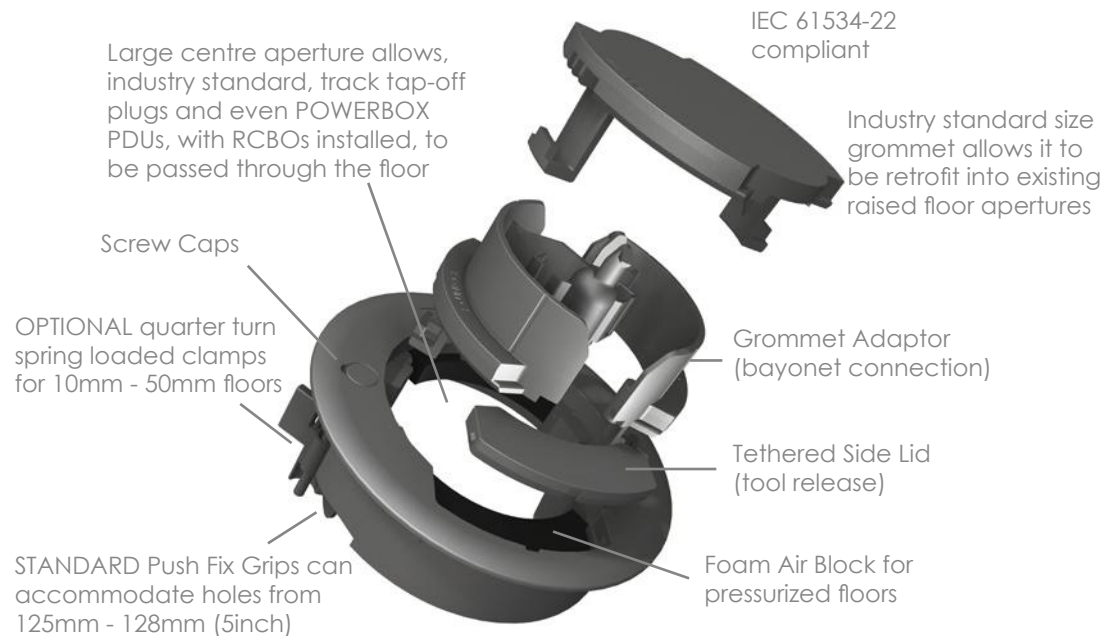
Pathfinder Grommet



PATHFINDER Floor Grommet is the first of its kind to enable **TOTAL CABLE PROTECTION** from desk to underfloor, when used in conjunction with Pathfinder Umbilical.

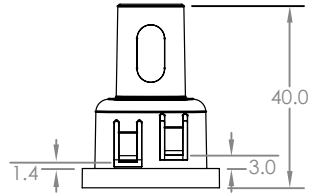
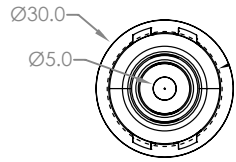
Designed to QUICK-FIT into industry standard 5 inch / 125-128mm cutouts, the PATHFINDER Floor Grommet can be used as a conventional floor pass-thru, allowing power / data cabling, including 16mm flexible conduit, to exit via the Side Lids.

But, if used in conjunction with PATHFINDER Umbilical, using PATHFINDER Grommet Adaptor, it can even accommodate multiple 20mm / 25mm data conduits as well.

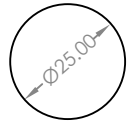


Technical

TOP FIX

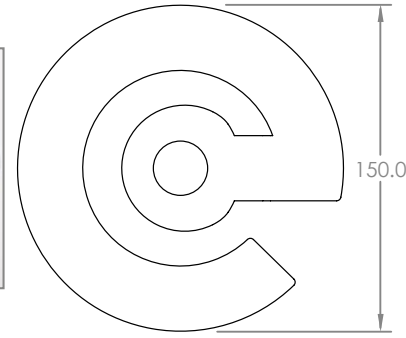


CUTOUT DIMENSIONS
(both top & bottom fix)

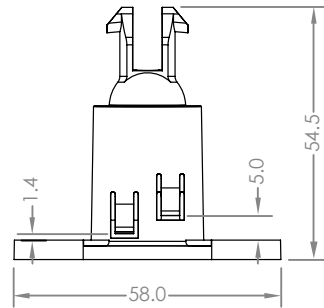
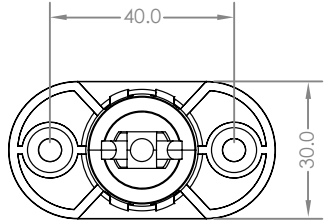


* OPTIONAL PANEL THICKNESSES

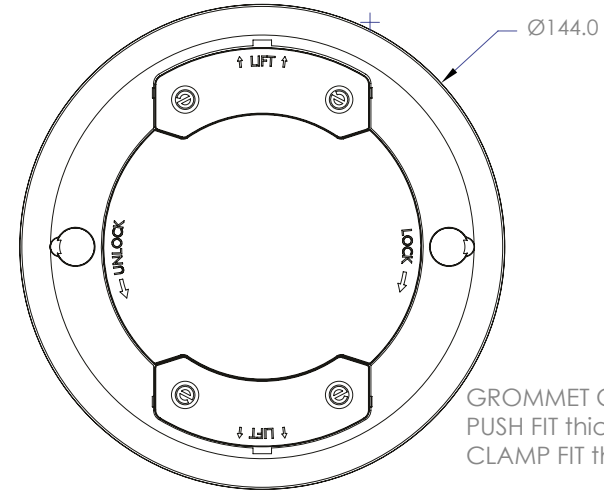
WEIGHTED BASE



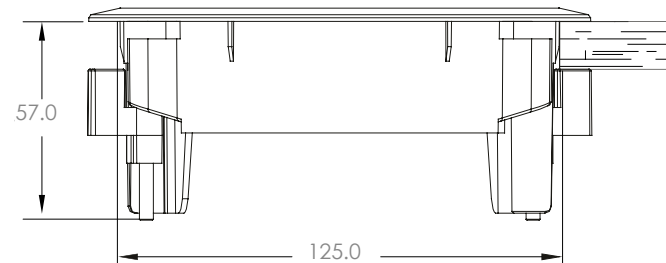
BOTTOM FIX



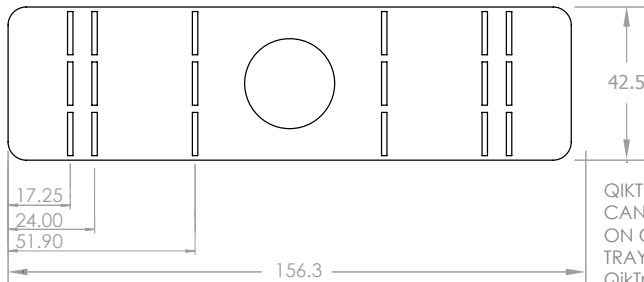
FLOOR GROMMET



GROMMET CUTOUT 125 - 128mm (5 inch)
PUSH FIT thicknesses min 10mm
CLAMP FIT thicknesses min 10mm max 50mm



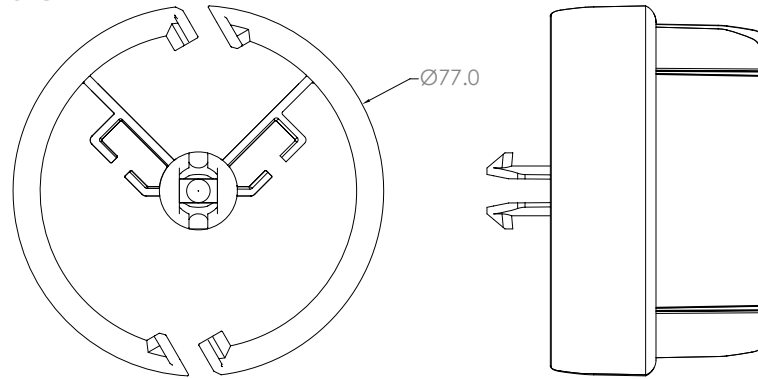
QIKTRAY ADAPTOR



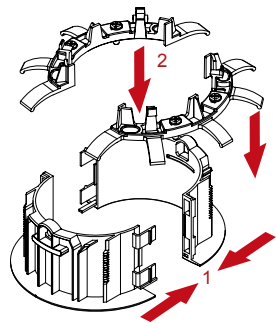
QIKTRAY ADAPTOR
CAN ALSO BE USED
ON COMPATIBLE
TRAYS OTHER THAN
QikTray
Check with OE
Electrics outside these
sizes for alternative/
bespoke bracket

Technical

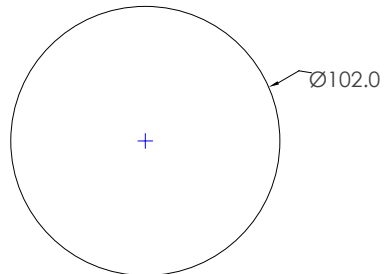
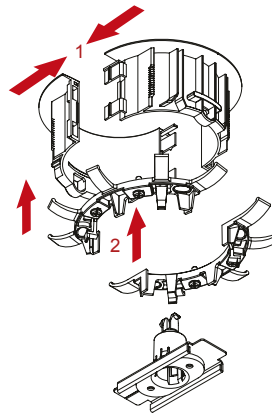
SEGMENT



CEILING COLLAR

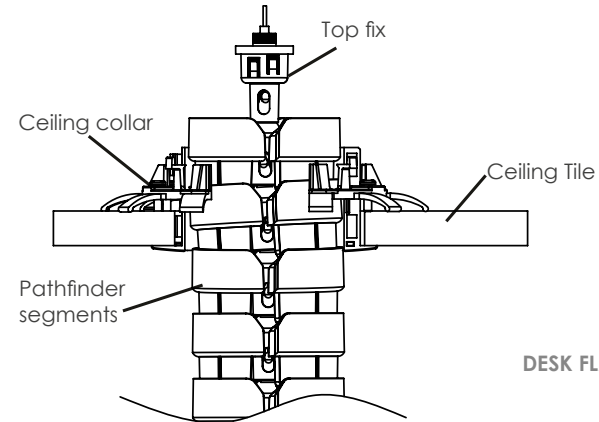


DESK FLANGE



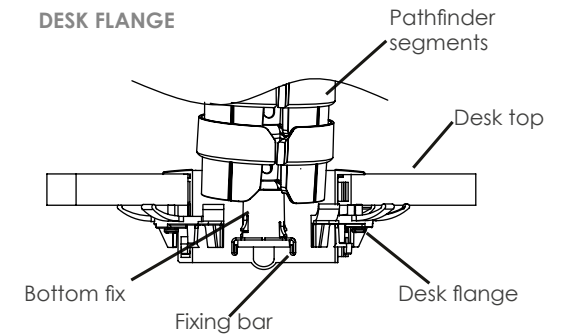
Cutout hole is $\text{Ø}102\text{mm}$ (4inch) with cutout hole thickness 2-40mm

CEILING COLLAR



Note: DO NOT hang PATHFINDER from Ceiling Collar, it is only a pass-thru

DESK FLANGE



Note: DO NOT use Desk Flange upside down to hang from false ceiling tiles

PATHFINDER CABLE AND CONDUIT CAPACITIES

Cable Size	Cable Type	Small compartment	Large compartment	Grommet sides
(OD = Outer Diameter)	(examples)			(each side)
Cables 6mm OD	eg: CAT5e	19 1	58 1	12 1
Cables 9mm OD	eg: 3 core 1.5mm ² / CAT6	8 1	26 1	6 1
Cables 11mm OD	eg: 3 core 2.5mm ²	6 1	17 1	4 1
Conduit 16mm OD	eg: underfloor track tap-off	2 2	6 2	2 2
Conduit 20mm OD	eg: data conduit	1 23	3 23	0
Conduit 25mm OD	eg: data conduit	1 23	1 23	0

Note: All capacities reduce if using the Pathfinder Zipper

Notes: 1 - At 40% fill
2 - Maximum

3 - 20mm/25mm conduit cannot be inserted with the Zipper