



**PERFORMANCE POSTURE**

# PERFORMANCE POSTURE

Performance Posture features a multi-function heavy duty mechanism, where each movement can be adjusted easily with the ergonomically designed controls for maximum comfort and optimal posture. The contoured seat and back cushions support the body, keep the pelvis straight and encourage the spine to assume its natural 'S' Shape.

## Standard Features

- Multi-function mechanism with seat tilt, independent back angle adjustment and multi-position lock
- Seat slide
- Inflatable lumbar support
- Height adjustable ratchet back
- Black nylon base
- Height and width adjustable armrests

## Optional Features

- Chrome Base (CBK)
- Coccyx relief cut-out (CXC)
- Pressure relief memory foam (MF)
- 190KG conversion (190C)



PP - PH1A / HEADREST DETAIL



PP - PH2 AAG / ADJUSTABLE ARMREST

## PERFORMANCE POSTURE



### PH1A

High back armchair with headrest and inflatable lumbar support.

DIMENSIONS	
WIDTH	640mm
DEPTH	650mm
SEAT HEIGHT	490mm
580mm	
OVERALL HEIGHT	1180mm
1270mm	



### PM2A

High back armchair with inflatable lumbar support.

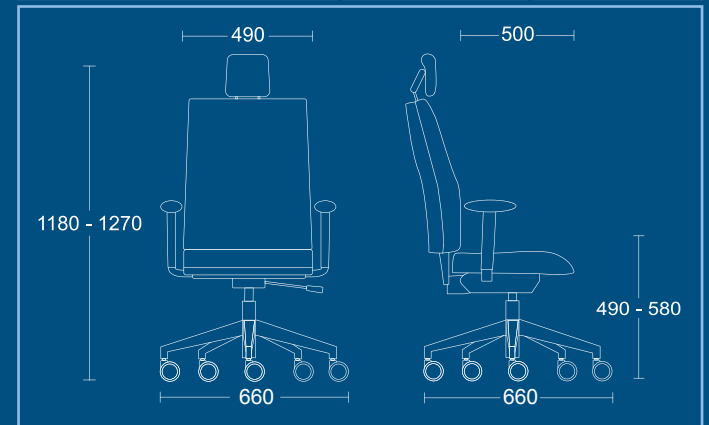
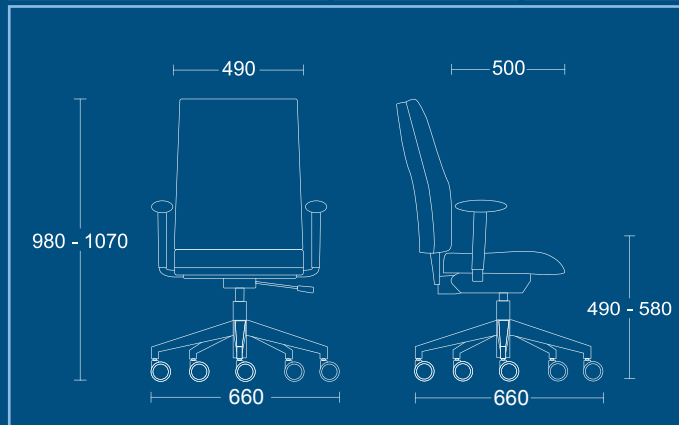
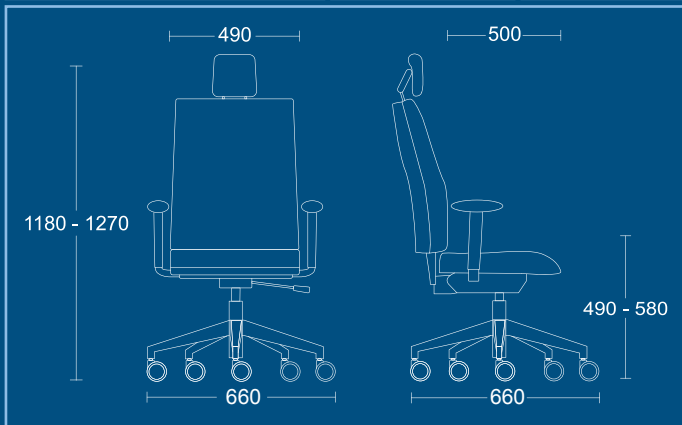
DIMENSIONS	
WIDTH	640mm
DEPTH	650mm
SEAT HEIGHT	490mm
580mm	
OVERALL HEIGHT	980mm
1070mm	



### PH1 AAG

High back armchair with headrest, inflatable lumbar support and AAG arms.

DIMENSIONS	
WIDTH	640mm
DEPTH	650mm
SEAT HEIGHT	490mm
580mm	
OVERALL HEIGHT	1180mm
1270mm	



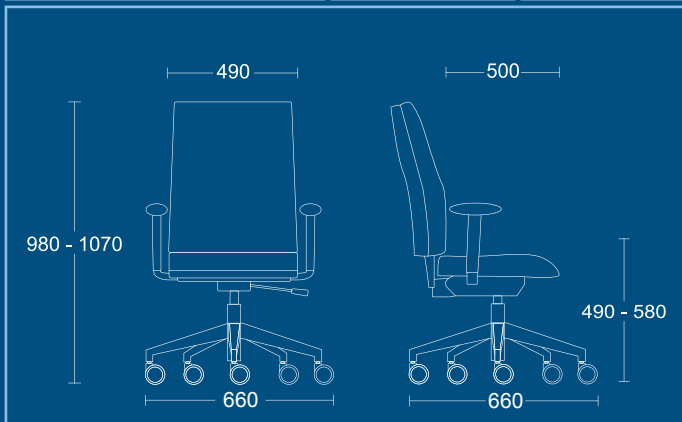
## PERFORMANCE POSTURE



### PM2 AAG

High back armchair with inflatable lumbar support and AAG arms.

DIMENSIONS	
WIDTH	640mm
DEPTH	650mm
SEAT HEIGHT	490mm
580mm	
OVERALL HEIGHT	980mm
1070mm	



Certificate Number 12877  
ISO 9001