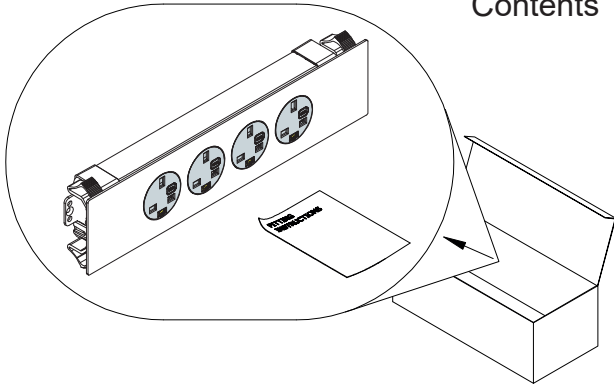
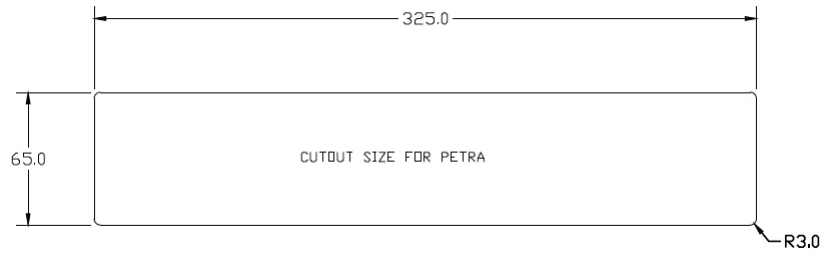


PETRA POWER MODULE - FITTING INSTRUCTIONS

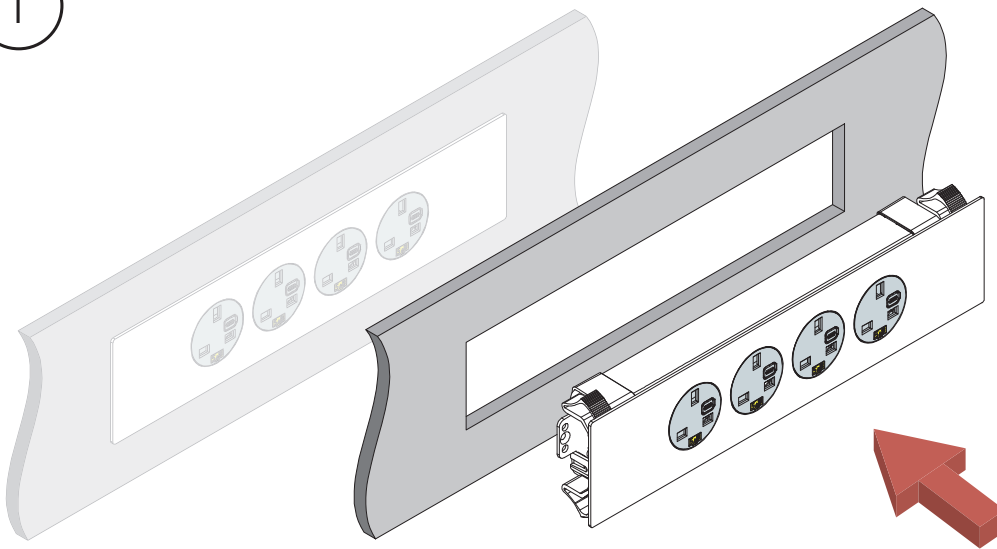
Contents



Cutout dimensions

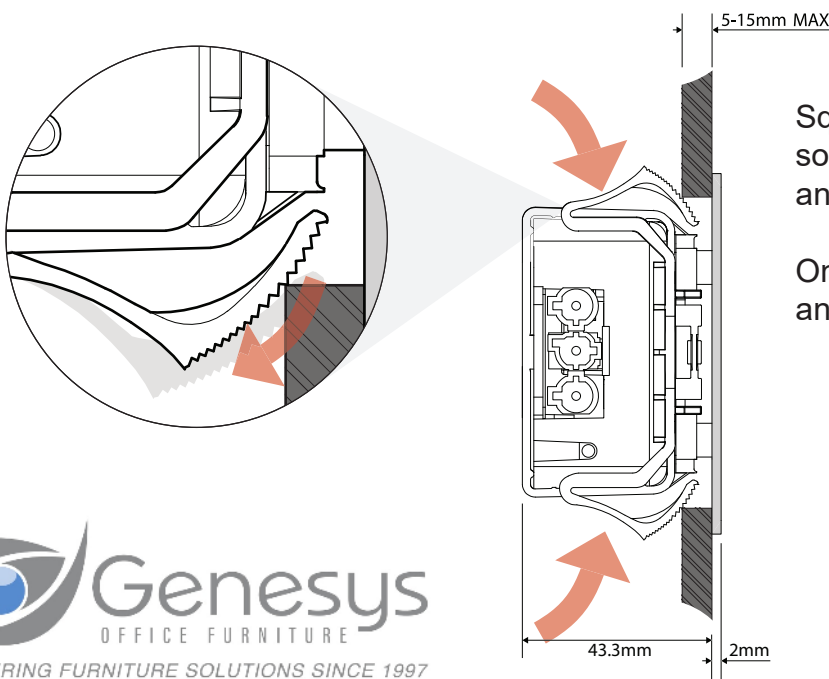


1



Push PETRA into a cutout measuring 325mm x 65mm until the metal face plate is flush with the surface.

2



Squeeze PETRA's locking clips so that they extend outwards and firmly grip the surface.

Once in place, attach the power and/or data cable(s)