

# pixelTUF

The new PIXELTUF uniquely combines an AC power socket and fully integrated 5A Twin USB Fast charger (TUF) in a compact 80mm grommet unit.

PIXELTUF enables the time-short mobile worker to charge a laptop at the same time as charging their mobile phone and tablet! Perfect for hot desks, drop in areas, airports & hotels.

PIXELTUF fits almost flush at any angle into a standard 80mm grommet cut out without the need for tools. You may even forget it's there until you need it.

PIXELTUF's unique patent applied for design complies with BS5733 and the sweeping organic curves ensure protection against liquid ingress as required by BS6396.



 pixel

## USPs

- Stylish organic design ensures protection against liquid ingress
- High strength polycarbonate enclosure - only 50mm deep\*
- Available with a range of different nationality AC power sockets
- Data or A/V cable pull through feature
- Fits into a standard 80mm grommet hole in desktops or panels 1mm to 40mm thick, without the need for tools.

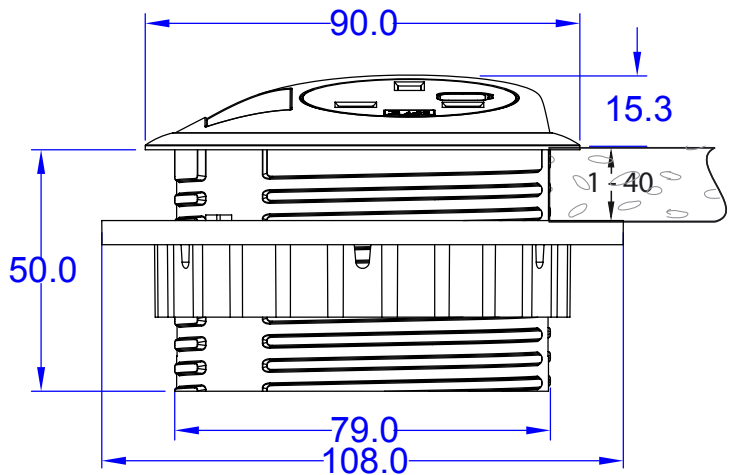


# technical

## AC Modular sockets for PIXELTUF<sup>+</sup>



## Pixel TUF Dimensions



All dimensions in millimetres

\* Suitable hole cutters are available from OE Electrics. Please contact sales  
<sup>+</sup> Currently UK, French/Belgian, Schuko, Australian, USB charger available. Other sockets available soon

## Technical data

USB charging outlets	2 x type A female
Charging Current:	Max 5A in total
AC voltage range	100-240V AC 50/60Hz
AC input current	Max 0.25amp at full load Less than 0.5mA at no load
Rated total Output	25W max
Output voltage	5V DC +/- 5%
Standby Power use	Less than 0.05W
MTBF*	Min 5 years in normal use
USB connector	Gold Plated - min 5000 insertions
Over current protection	Yes - self regulating
Short Circuit protection	Yes - Auto reset
Apple ipad/iphone compatible	Yes
Blackberry compatible	Yes
Operating Temperature range	0° to 35°C
Max relative humidity	85% RH

## Features

### Power:

Single AC power socket from our 42mm range

### USB Charging:

Twin USB Fast charger (TUF) maximum combined output of 5A at 5V DC

**Fusing:** (UK socket option only to enable compliance to BS6396)

5 x 20mm anti-surge ceramic fuses, with colour-coded fuseclips to denote the rating (3.15A/5A), with spare fuse in base.

### Power input:

3 core 1.5mm<sup>2</sup> power cord to GST 18/3 Wieland or appropriate power cord to national mains plug.

**Data A/V cable pull though:** Single cable up to 9mm Ø via knockout in pixel/TUF fascia

**Cable management:** attachment point for pathfinder umbilical.

### Testing:

100% testing - continuity, polarity, insulation & earth, plus TUF charger output.

### Colours:

Standard colours: black with silver grommet ring or white with silver grommet ring.

### Fitting:

To fit PIXELTUF into your desk couldn't be simpler. If your desk already has an industry standard 80mm hole\* simply take the fixing nut off your newly purchased PIXELTUF, feed the cables through the hole and gently slide your PIXELTUF into place. Make sure your PIXELTUF is facing the desired orientation and screw the fixing nut back on until it is firmly in place. PIXELTUF will fit any surface from 1mm to 40mm. Please see website for further details and video.

## Charging times from 10% to 90%

Device	Hours: Mins
Sony Xperia Z1	2:23
iPhone 6S	1:29
Samsung Galaxy Note 10.1"	2:36
iPad 3 & 4	3:45

## TUF Certifications

Compliant with: EN61204-3/CISPR22

Certified to: UL/IEC 60950-1