

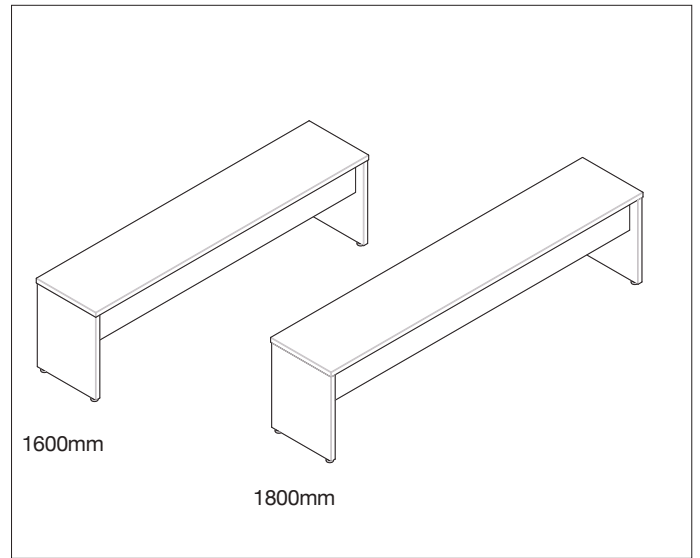
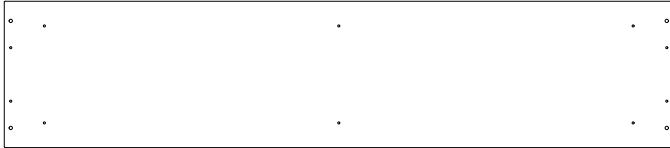


ASSEMBLY INSTRUCTIONS

RANGE	Planar Bench	
REF:	1600mm and 1800mm Wide	
	 Read this leaflet before assembly	 2 People Required



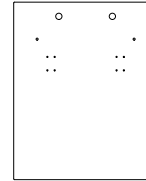
COMPONENT PARTS



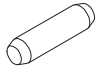
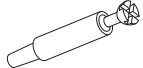
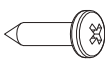


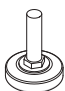

Item 1
Top Panel
Qty 1



Item 2
Modesty Panel
Qty 2



Item 3
Side Panel
Qty 2

 Item 4 Wood Dowels F.0431 Qty 4	 Item 5 Minifix Bolt Chipfast 34x11mm F.0532 Qty 14	 Item 6 F.0414 5/8" x 8g Pan Pozi BZP Qty 32	 Item 7 F.0434 Minifix Alloy Cams 18mm Qty 10	 Item 8 F.0467 Minifix Alloy Cams 25mm Qty 4
 Item 9 F.0551 Foot Qty 4	 Item 10 Angle Bracket Qty 4			

TOOLS REQUIRED

- Short Pozi head screwdriver

BEFORE YOU BEGIN...

- Check you have all the tools and components required
- Keep children and animals away from small parts
- Ensure you have adequate space
- Assemble product on a flat, clean surface
- Apply manual handling guidelines when building this item

ASSEMBLY INSTRUCTIONS

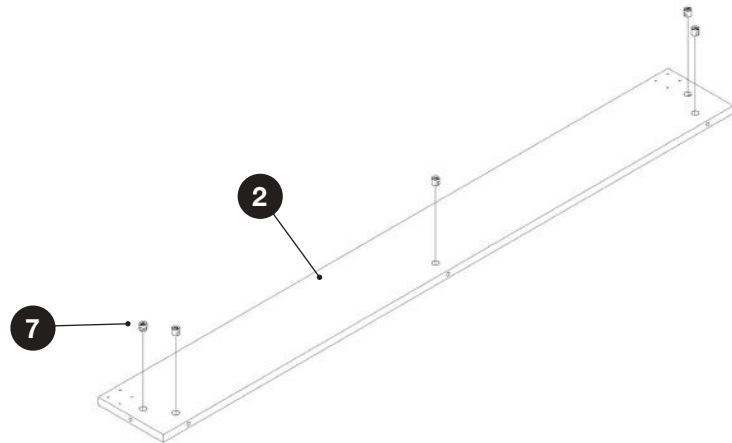
STEP 1

Lay both the Modesty Panels **(2)** flat on a soft surface with the holes facing upwards.

Ensure all holes are free of debris.

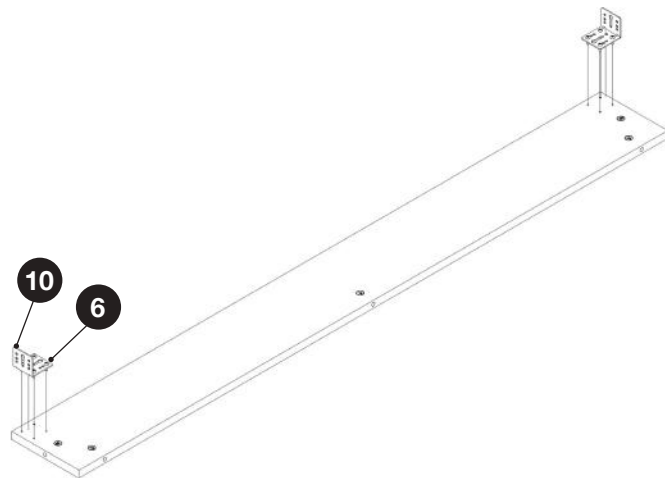
Insert the appropriate number of Cams **(7)** into the Panels.

Ensure that the arrows moulded into the Cams are pointing towards the edge of the Panel (where the joining hole is).



STEP 2

Attach the Angle Brackets **(10)** to the Modesty Panels, using 4 Screws **(6)** per Bracket.



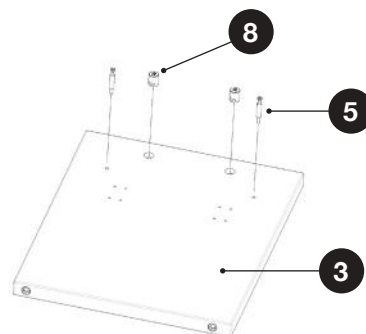
STEP 3

Lay both the Side Panels **(3)** flat on a soft surface with the holes facing upwards.

Ensure all holes are free of debris.

Insert the appropriate number of Cams **(8)** and Rapid Dowels **(5)** into the Panels.

Ensure that the arrows moulded into the Cams are pointing towards the edge of the Panel.

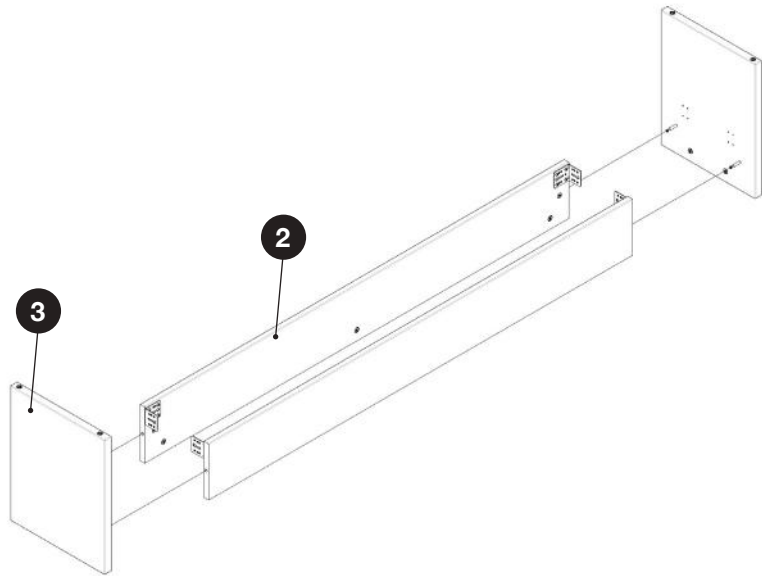


ASSEMBLY INSTRUCTIONS

STEP 4

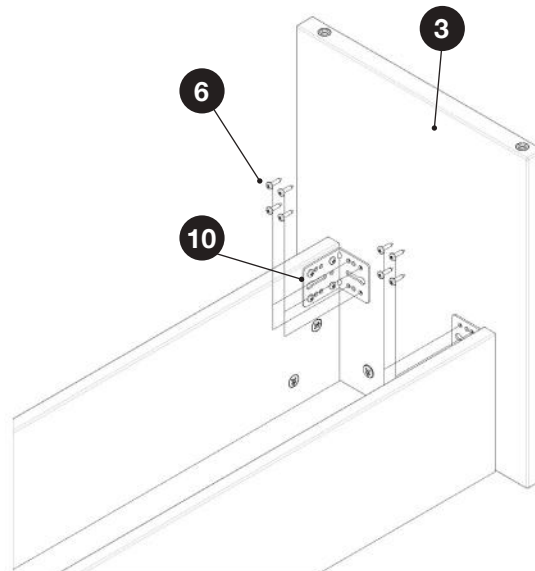
Place the Side Panels **(3)** into position onto the Modesty **(2)** Panels.

Lock the Cams **(7)** with a half turn.



STEP 5

Attach the Angle Brackets **(10)** to the Side Panels **(3)**, using 4 Screws **(6)** per Bracket.

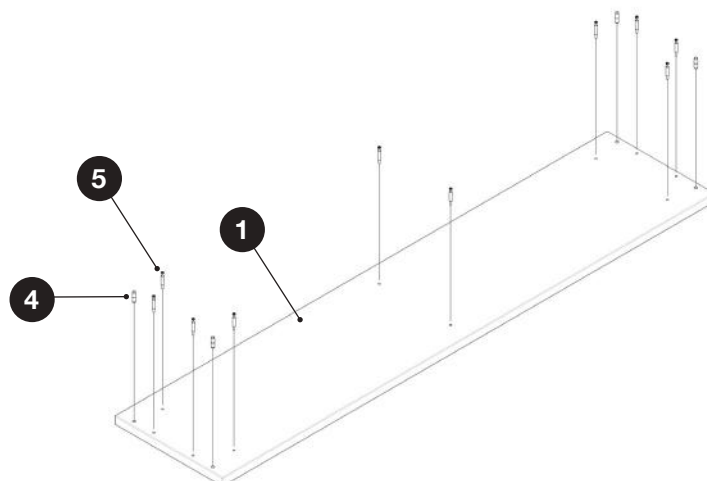


STEP 6

Lay the Top Panel **(1)** flat on a soft surface with the holes facing upwards.

Ensure all holes are free of debris.

Insert the appropriate number of Rapid dowels **(5)** and wooden dowels **(4)** into the Top Panel.

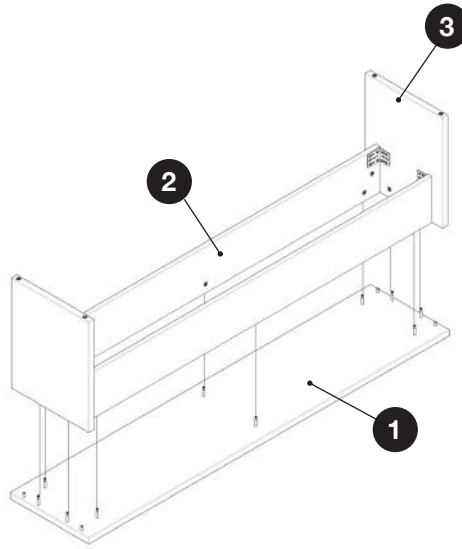


ASSEMBLY INSTRUCTIONS

STEP 7

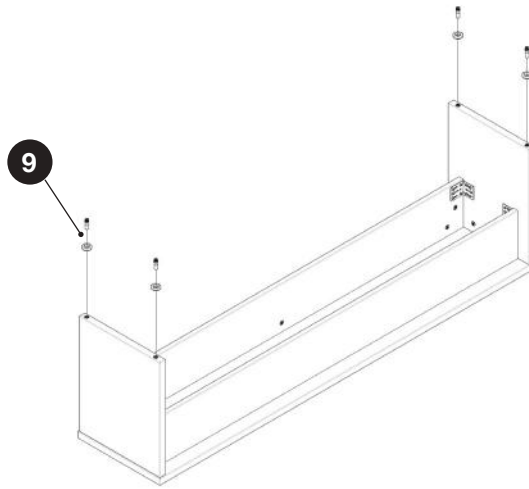
Place Sides (3) and Modesty Panels (2) into position on the Top Panel (1).

Lock the Cams with a half turn.



STEP 8

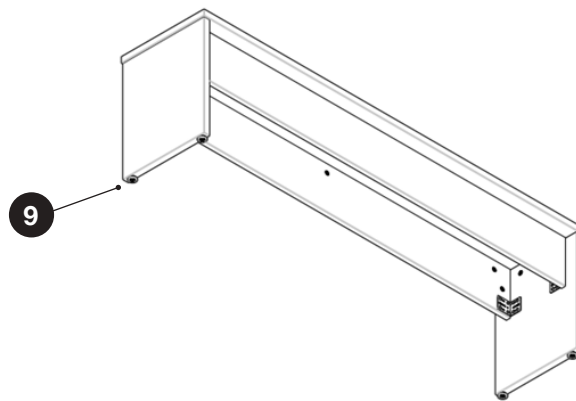
Attach the Feet (9) by screwing them into the insert in the Side Panels.



STEP 9

Carefully stand the bench upright.

The bench can be levelled by adjusting the height of the Feet (9).



CARE AND MAINTENANCE

Clean using a damp cloth and mild detergent – do not use abrasive cleaners or bleach.