

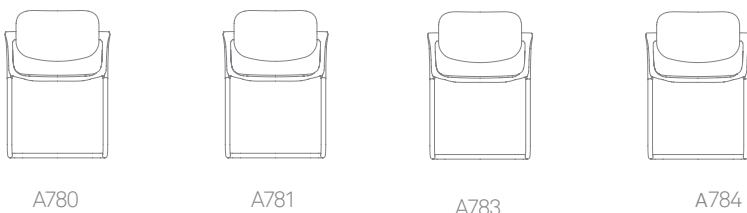
# Soul



Soul is a unique and ambitious development, designed by the award winning studio of PearsonLloyd. The design seeks to embrace the technological possibilities of structural injection moulded plastics to reinvent the ubiquitous steel cantilever chair. The concept

delivers a flexing organic form that provides true ergonomic comfort and support to its user, despite its lean appearance. The chair is sublimely delivered in a palette of contemporary colours and continues to gather admirers the world over.

Design by PearsonLloyd

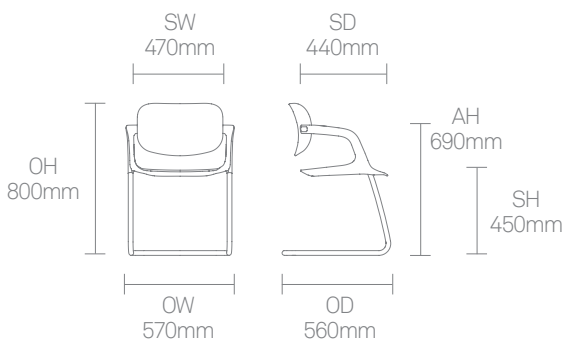


Tubular steel frame available in either White EPPC or Polished Chrome

Injection moulded plastic shell available in either White as Snow, Dark Grey, Smoke Grey or Blue Skies

Seat pads can be upholstered in a broad range of contract upholstery fabrics, vinyls and leathers from Allermuir standard collection\*

## Dimensions



### Standard Features

(\* - Selected models only)

- Stacks up to 6 high\*
- Injection moulded plastic frame
- Tubular steel frame
- Stacking frame\*
- Plastic back
- Plastic seat\*
- Upholstered seat\*
- Plastic glides\*

### Standard Metal & Plastic Finishes



White EPPC

Polished Chrome



Dark Grey\*

Blue Skies

Smoke Grey

White as Snow\*

### Optional Features

- Plastic glides
- Felt glides

### Performance Standards

- EN 13761:2002
- EN 1022:2005
- EN 15373:2007
- ANSI/BIFMA X5.4:2005
- SCS-EC10.2-2007 Indoor Air Quality