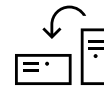
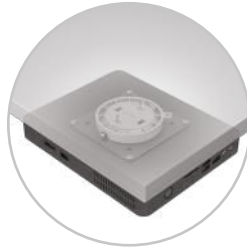
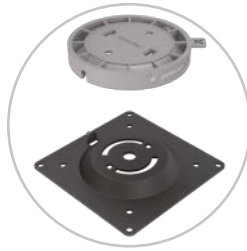


viewgo



horizontal/vertical



100 x 100 / 75 x 75

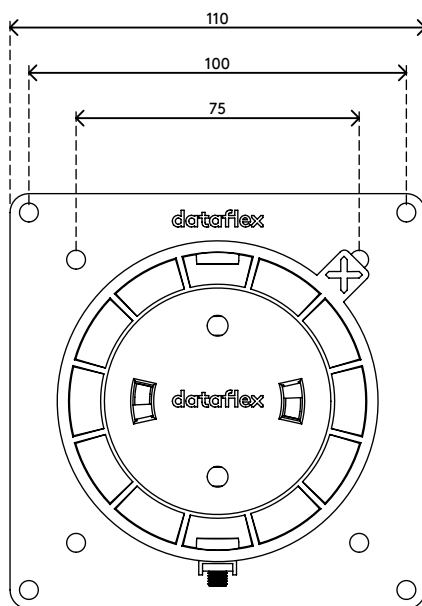


3 kg

48.903

Viewgo thin client holder - desk 903

- Suitable for mounting to both horizontal and vertical surfaces
- VESA MIS-D 75 x 75/100 x 100 mm compatible
- Supports screwless mounting and thin clients without a VESA mount, using double-sided 3M™ VHB™ adhesive pads
- Max. weight capacity of 3 kg using mounting screws
- Max. weight capacity of 1,5 kg using adhesive pads
- Has a built-in quick-release system
- Has a lockable mechanism to secure the thin client in place
- Comes with all necessary fasteners
- Easy installation



All dimensions are in millimetres (1 mm is 0,039")

