



58.120 White



58.122 Silver



58.123 Black



## Viewlite monitor arm - desk 120 / desk 122 / desk 123

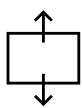
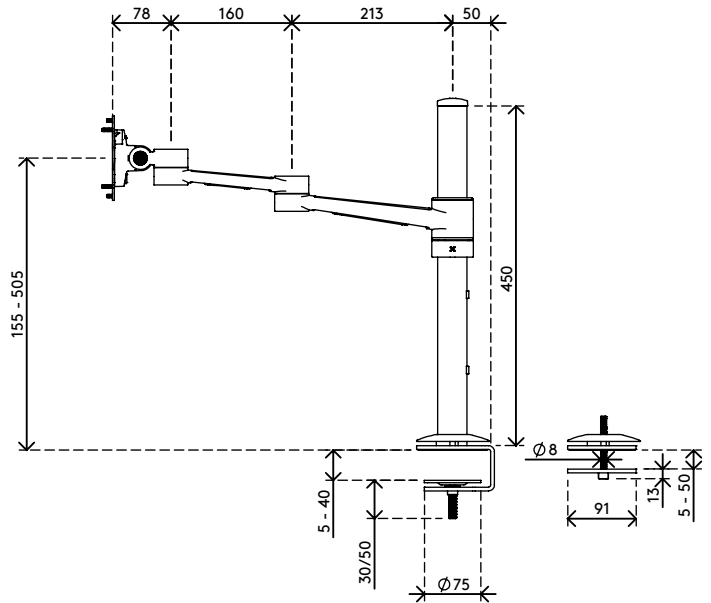
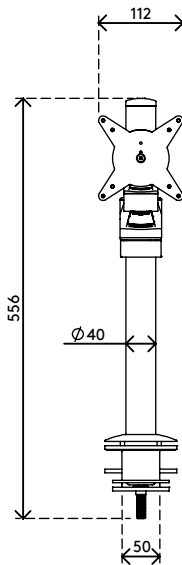
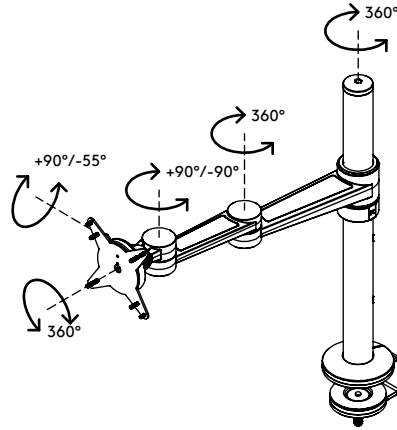
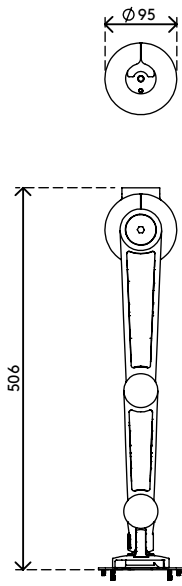
Two extensions allow independent monitor depth adjustment and the stepless height adjustment lets each user find their own optimal ergonomic position. Cables are easily hidden in the aluminium pole and arm extensions to create a tidy, professional impression.



- Static height adjustment range of 350 mm (13,8")
- Independent depth adjustment
- Integrated cable management
- Main components in white, silver or black aluminium
- 40% of aluminium content is already recycled
- VESA MIS-D 75 x 75/100 x 100 mm compatible
- Monitor: tilt +90°/-55°, swivel +90°/-90°, rotate 360°
- Arm: swivel 360°

- Weight capacity max. 8 kg (17,6 lb) per monitor
- Comes with a desk clamp mount and bolt-through desk mount
- Suitable for a desktop thickness of 5 up to 40 mm (0,2" - 1,6") (clamp) or 50 mm (2,0") (bolt through)
- Monitor size limit: height 978 mm (38,5")
- Fitted with a practical quick-release VESA system
- Monitor rotation lock can be enabled

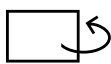
# viewlite



350 mm (13,8")



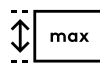
+90°/-55°



+90°/-90°



360°



978 mm (38,5")




75 x 75/100 x 100




8 kg (17,6 lb)

## Viewlite monitor arm - desk 120, desk 122, desk123

# 58.120 / 58.122 / 58.123

 596 x 250 x 112 mm

 1 pcs

 white, silver, black

 4,10 kg

 805410581206