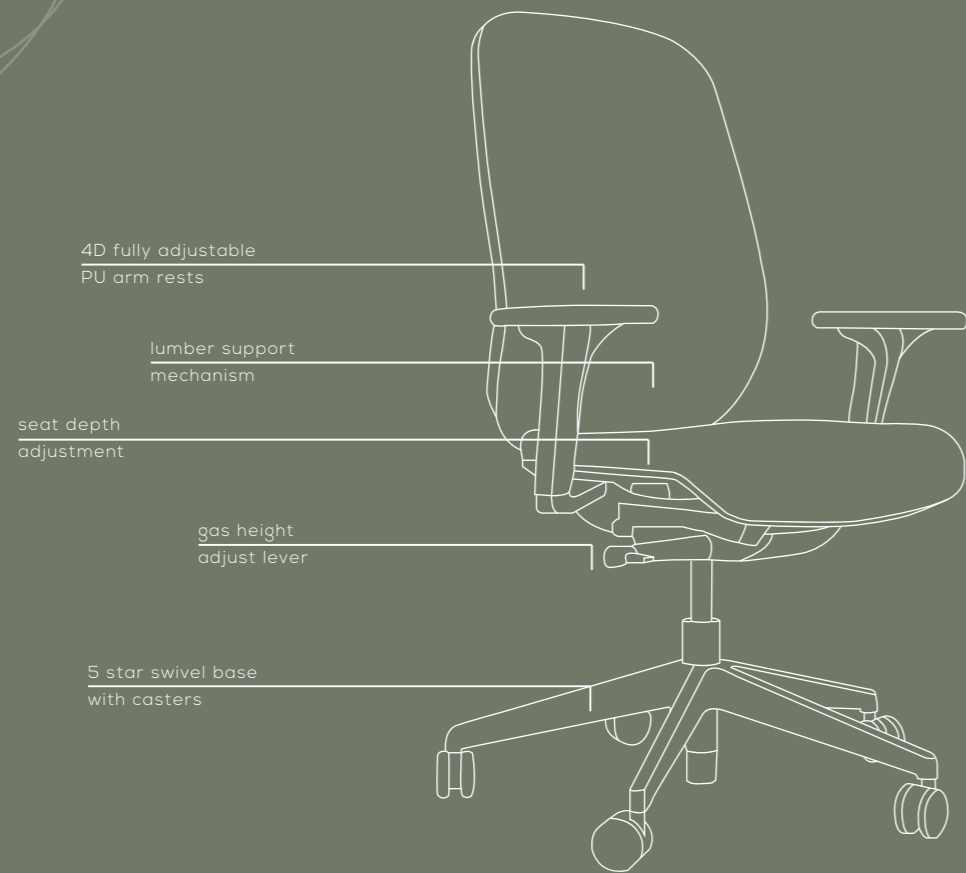


# OWT20

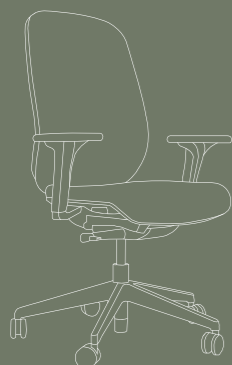
*“A collaboration between engineers,  
designers and environmentalists”*





## OWT20

### TASK CHAIR OWT20



Product Code	Description	
OWT20/BB/4B/B	Black With Black Mesh	1
OWT20/BG/4B/B	Black With Grey Mesh	2
OWT20/WG/4B/B	White With Grey Mesh	

Height: 1010-1135mm | Width: 680mm | Depth: 680mm | Seat Height: 435-510mm | Seat Depth: 600mm | Weight: 14.6kg

### OPTIONS

Description
Black Base (Standard)
Polished Aluminium Base
Polished Aluminium Base & Silver Soft Casters
Black Soft Casters
Black Headrest
White Headrest
Without Arms

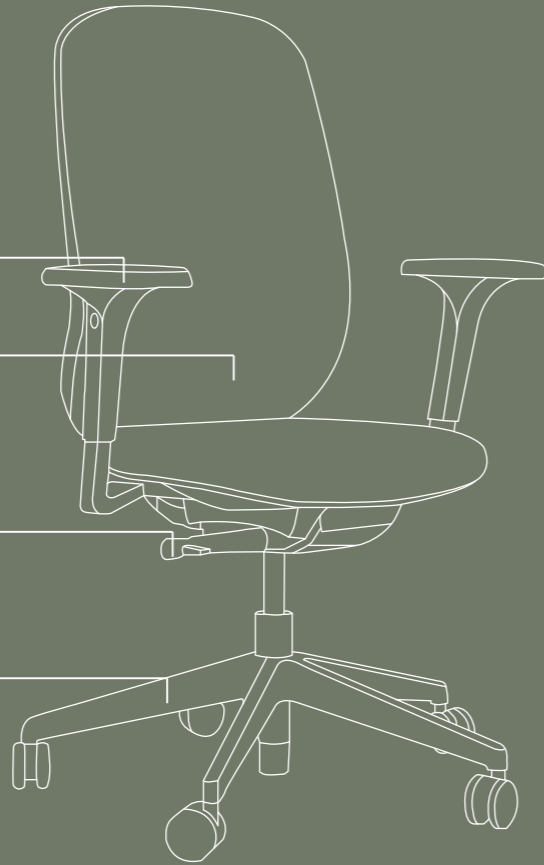


1D adjustable  
PU arm rests

lumber support  
mechanism

gas height  
adjust lever

5 star swivel base  
with casters



## OWT17

### TASK CHAIR OWT17



Product Code	Description
OWT17/BB/4B/B	Black With Black Mesh

Height: 1010-1135mm | Width: 680mm | Depth: 680mm | Seat Height: 420-550mm | Weight: 13.6kg

### OPTIONS

#### Description

Black Base (Standard)  
Polished Aluminium Base  
Polished Aluminium Base & Silver Soft Casters  
Black Soft Casters  
Black Headrest  
Without Arms





## CORE FEATURES

- 01 *Breathable mesh back*
- 02 *Auto Synchronised mechanism (SS)*
- 03 *Selfadjusting 2 lever mechanism with 5 locking positions*
- 04 *Tilt lock with anti shock function*
- 05 *4D adjustable PU armrests*
- 06 *Gas lift control*
- 07 *Lumbar support*
- 08 *600mm seat depth*
- 09 *Black nylon raised base with 60mm black casters*



*OWT20 With Headrest Featured*



*OWT20 With Polished Aluminium Base & Soft Casters Featured*



## CARE FOR YOUR TASK CHAIR

To maintain the cloth upholstery carefully vacuum regularly. Marks and stains can be removed with the appropriate commercial cleaner. To avoid moisture stains when cleaning, we suggest gently rubbing the fabric in a circular motion, working from the centre of the stain with the cloth, and then moving slowly away from it until you have treated the entire panel of the affected area.



01

### Armrest Height

Arms are adjustable to reduce strain on neck muscles. To adjust arm height, click on the button on the underside of the arm and raise or lower to the desired height. The arm top pads can also be adjusted sideways and forward and back by putting pressure on the pad in the direction that you require the pad to travel. This will aid widening the chair and allow the user to rest the elbows on the arm pad at different distances from the desk.



02

### Back Height

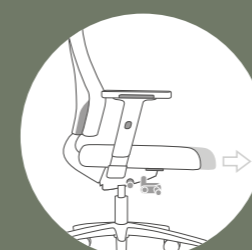
This feature is facilitated by the adjustment of the rear fitted lumbar which can move up and down by sliding the horizontal devise to a point where it fits into the natural "S" shape of the spine.



03

### Back Angle / Lock Adjustment

The chair should be kept unlocked to aid body movement which will assist in muscle movement and blood circulation. The back can be locked off when in certain position by adjust the under-seat lever. When the chair is in the locked position the self-adjusting synchro has a safety feature that can only be unlocked by putting pressure on the back and releasing the lever and then moving your body forward.



04

### Seat Depth

Adjusts the distance between back rest and front edge of the seat, designed to support the thighs. The seat depth of the chair can be adjusted to allow for the height difference between users. The user should be able to get two fingers between the chair and the back of your leg. To adjust, depress the button on the right of the seat pad and move your pelvis back or forward to find the position to suit.



05

### Seat Height

Seat height adjustment is essential for a good posture and allows users of all heights to find their optimum sitting position. The seat height should be adjusted to allow a 90° angle between your lower and upper legs, allowing your feet to be flat on the floor. Use the lever on the right hand side under the seat, lifting the lever up whilst taking the weight of the chair to raise and adding pressure to the seat to lower.

## OWT20

*As well as a keen focus upon aesthetics, durability, and ergonomics, the WorkWell task chair is designed to have a series of environmental and sustainability credentials, as part of our larger push towards corporate social responsibility. Almost 50% of the task chair is manufactured from recycled materials and has a significantly reduced carbon footprint, in comparison to alternative products. The key environmental consideration, however, is that at the end of its lifecycle, the WorkWell task chair is 100% recyclable, from the seating pad and frame to the mesh back.*

## ENVIRONMENTAL IMPACT

Recycled Content

**48%**

Recyclability

**100%**

Carbon Footprint

**68.5kg CO<sup>2</sup>e**

## OWT17

## ENVIRONMENTAL IMPACT

Recycled Content

**68%**

Recyclability

**100%**

Carbon Footprint

**76.6kg CO<sup>2</sup>e**