

ZIRCON

Numerous adjustments can be made to this stylish heavy duty executive/managerial chair to offer optimum comfort in a variety of positions. To encourage a healthy posture, the Zircon has an anatomically contoured backrest with kidney supports to fit the user's body. The seat cushions are designed to help keep the pelvis straight, thus encouraging the spine to assume its natural S shape.

Standard Features

- Multi-function mechanism with seat tilt, independent back angle adjustment and multi-position lock
- Seat slide
- Height adjustable ratchet back
- Silver base
- Height and width adjustable armrests

Optional Features

- Alternative armrests available on ZT4 & ZT3
- 190KG Conversion (190C)



ZIRCON - ZH1



ZIRCON - ZM2 / CONTOURED BACKREST WITH KIDNEY SUPPORTS



ZIRCON - ZM2 / SILVER BASE

ZIRCON



ZH1

High back 24
hour armchair
with headrest.

DIMENSIONS	
WIDTH	650mm
DEPTH	650mm
SEAT HEIGHT	490mm 580mm
OVERALL HEIGHT	1240mm 1330mm



ZM2

High back 24
hour armchair.

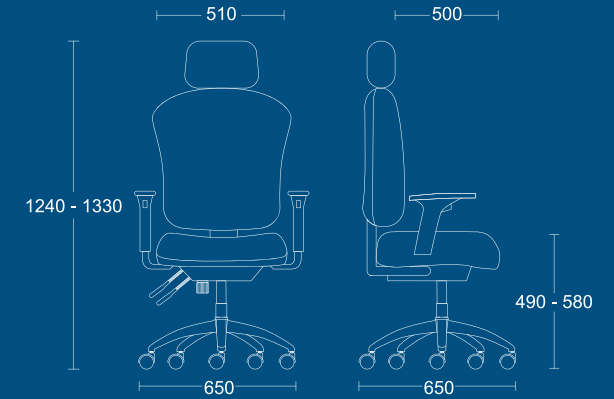
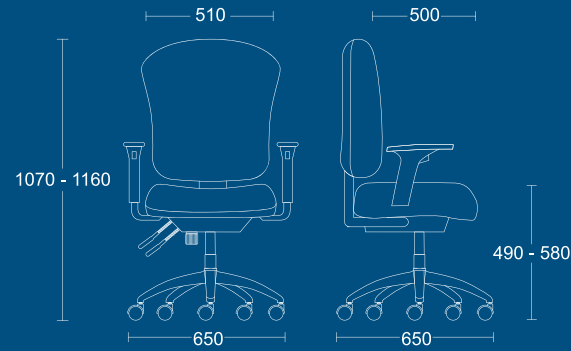
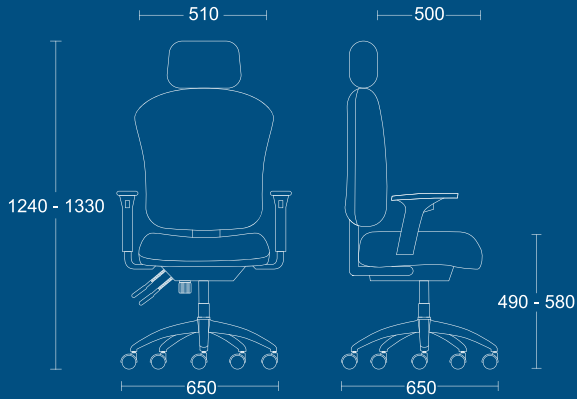
DIMENSIONS	
WIDTH	650mm
DEPTH	650mm
SEAT HEIGHT	490mm 580mm
OVERALL HEIGHT	1070mm 1160mm



ZT4

High back 24
hour armchair
with headrest.

DIMENSIONS	
WIDTH	650mm
DEPTH	650mm
SEAT HEIGHT	490mm 580mm
OVERALL HEIGHT	1240mm 1330mm



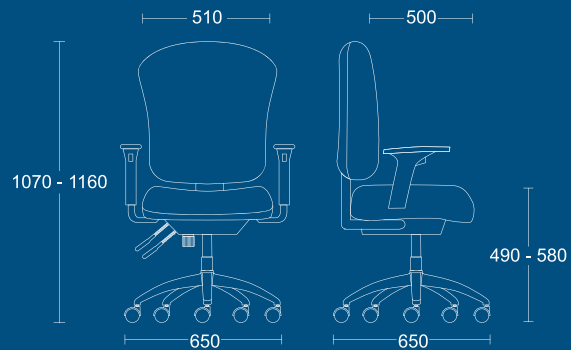
ZIRCON



ZT3

High back 24
hour armchair.

DIMENSIONS	
WIDTH	650mm
DEPTH	650mm
SEAT HEIGHT	490mm 580mm
OVERALL HEIGHT	1070mm 1160mm



Certificate Number 12877
ISO 9001